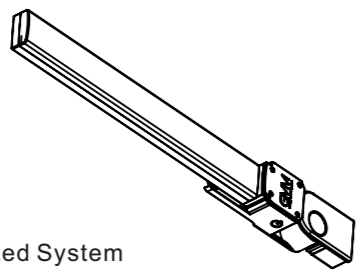


■ Product Introduction

The GVM-12D is an ideal choice for photography, interviews and live streams that require light colors with optimal precision, accuracy, and flicker-free output. The GVM-12D is made of 64 lamp beads which are designed and manufactured carefully to have over 97 CRI value and high brightness. Its default color temperature is 4400k. It features dual power solutions- can be powered either via AC or for location shoots you can mount the lithium-ion battery comes with the light. Multiple control modes, stabilized system, lightweight and convenient design help to improve your light setting experience.

■ Main Features

- Ultra Heat Dissipation
- High CRI of ≥97+
- Dual Power Solutions
- Convenient Light Setting and Stabilized System

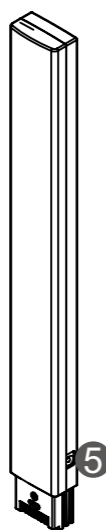
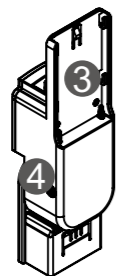


■ OverView

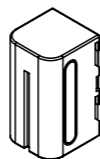
- 1 LED Light Slot
- 2 Touch Type Light Brightness Control Button
- 3 Battery Slot
- 4 Light Stand Mounting Hole
- 5 DC Power Input Interface



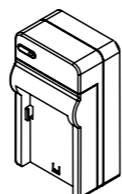
1



■ Accessories



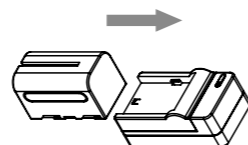
Lithium-Ion Battery×1



Battery Charger×1

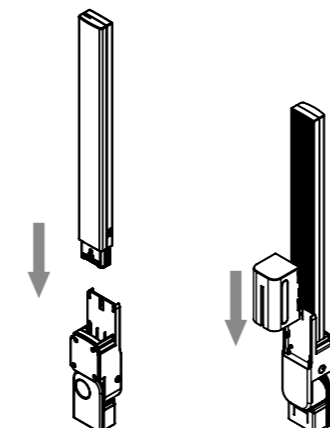
■ Installing

- 1 Charge the battery first.



- 3 Control the light brightness by touching the button.
 - Touch once to Power on . (Default 10% Brightness)
 - Touch once more to adjust to 40% Brightness.
 - Touch once more to adjust to 100% Brightness.
 - Touch once more to Power off.

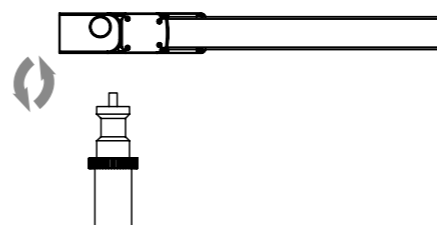
- 2 Insert the light bar into the light connector as below and plug the fully charged battery in before power on.



2

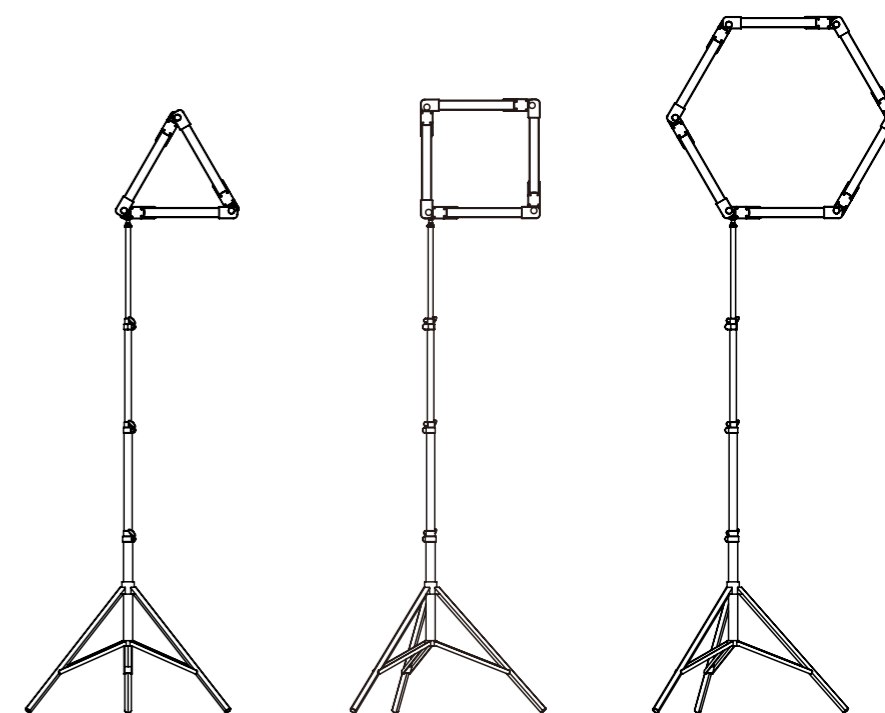


- 4 Rotate the connector clockwise to install it onto the light stand of GVM-600S or a tripod, rotate counter-clockwise to dissemble.

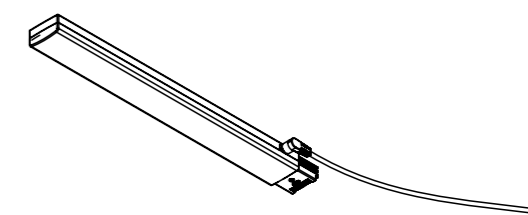


■ Multiple Usage Modes

- Many GVM-12D lights can be connected with connectors with battery-powered.



- You can plug the DC30V adapter cable comes with GVM-600S (or purchase it separately) into the AC power input interface of the light bar to power it instead of the battery.



3

■ Specifications

Model	LED Bead	CRI	LED Angle	Color Temperature	Voltage	Power Consumption	Size
GVM-12D	64	97+	120°	5600K	DC30V	12W	16*20*327mm

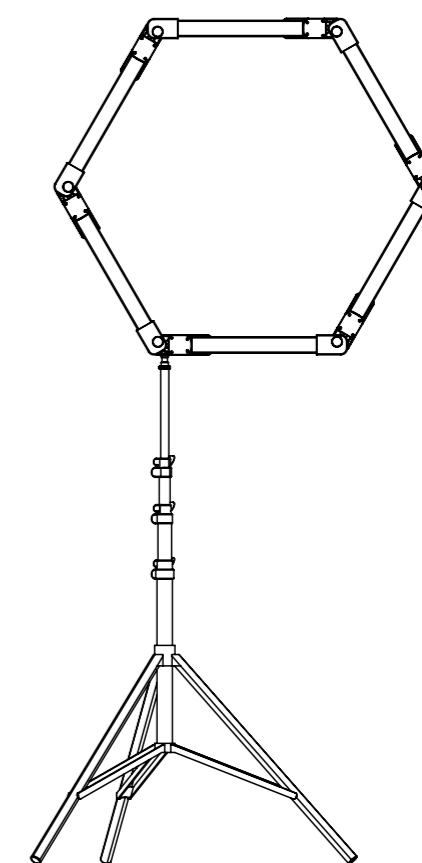
Attention

1. Do not look at the light directly when it is on.
2. Do not cover light when it is on, or it will prevent the light from cooling down and will damage it.
3. Do not place the light around flammable items such as alcohol, gasoline or volatile solvent.
4. Do not place any liquid on the light or fall it into the light.
5. Power the light off if you don't use it in case of a fire.
6. Move the light carefully to prevent dropping it down.

GVM

Great Video Maker

GVM
Great Video Maker



GVM-12D

Product Manual