

GVM

Great Video Maker

GVM-PRO-SD650B

CONTENTS

Important Safety Instructions -----	Page 1~2
Product introduction -----	Page 3
Warning -----	Page 3
Disclaimers -----	Page 4
Product parameter -----	Page 4
Product structure diagram -----	Page 5
Installation method -----	Page 6~10
Description of product control keys -----	Page 11
Function introduction & instructions for use -----	Page 12~13
APP control -----	Page 14
Use and preservation -----	Page 15
Quick troubleshooting -----	Page 16
Packing list -----	Page 17
Precautions -----	Page 17
Product Warranty -----	Page 18~19

IMPORTANT SAFETY INSTRUCTIONS

First and foremost: this product is a professional lighting and staging equipment and should be used by a professional lighting technician or under the guidance of a professional. When using this product, you must always follow the cautions below:

1. Read the product manual carefully before use.
2. This product is only suitable to use in a temperature range of -20°C to 45°C.
3. Do not place the equipment near flammable and volatile solvents such as alcohol and gasoline.
4. Before storing the device, make sure it has cooled down completely. When being stored, unplug the power cord from the device. The equipment should be stored in its carrying case or a well-ventilated and dry place.
5. This lighting fixture is not for general illumination and should not be used as such. Individuals with eye injuries or sensitivity should avoid using this lighting fixture.
6. This is a professional light and children are prohibited from using it. Parents or guardians must closely supervise children when they are near the equipment to prevent personal injury caused by colliding with or misusing the equipment.
7. Before using the equipment, please remove the protective cover.
8. When the lighting fixture is on, it is forbidden to stare directly at the light source under any circumstances. High-intensity lighting should only be used under the guidance of a professional lighting technician. Avoid staying in a high-intensity light environment for a long time. If feeling any discomfort, please immediately turn off the lighting fixture, and seek medical attention.
9. When the lighting fixture is on, use it carefully and avoid contacting high-temperature components such as LED light sources to prevent being burnt.
10. Do not use damaged equipment or accessories. Wait for a professional repairman to inspect and repair it before it is confirmed that the equipment can function normally.
11. If the light source is damaged or deformed due to heat, please stop using it and contact the manufacturer, service agents, or qualified repairman promptly to replace the light source to avoid accidents.
12. If the product is cracked due to falling, squeezing, or strong impact during use, please stop use it to avoid being electrically shocked by touching internal electronic components.
13. Do not disassemble the product by yourself. If the product malfunctions, it must be checked and repaired by the manufacturer or authorized repair personnel.
14. Before cleaning and maintenance, be sure to unplug the power supply. To unplug never pull on the cable but always pull the plug itself. This device shall only operate with earthed power outlets or emergency power generators.

15. When cleaning the device, do not wipe it with a wet cloth. Use a dry and soft cloth to wipe off the dirt.
16. If an extension cord is required, it needs to have the necessary capacity to power the respective unit. Using an extension cord with a lower current capacity than the devices need may cause overheating.
17. For some products with long power cords, please place the power cords properly and avoid contact with overheated surfaces that may damage or trip personnel. Please use the original power cords of our manufactory. The damage caused by using non-original power cords is not covered by our repair service.
18. Do not use product accessories that are not recommended by our brand to avoid fire, electric shock, or personal injury.
19. Some products use batteries for power supply. Do not use any batteries, power sources, or accessories that are not specified in the user manual. Please keep batteries and other accessories out of reach of children and infants. If a child or infant swallows a battery or accessory, seek medical attention immediately. If the battery leaks, changes color, deforms, smokes, or emits an odor, remove it immediately. Be careful not to get burned during the removal. A continued use of such batteries may cause a fire, electric shock, or skin burns. Do not use any deformed or modified batteries. Do not disassemble or modify this product or the battery. Do not heat the battery or solder it. Do not let the battery come into contact with fire or water, or subject it to strong external force. Do not insert the battery's positive and negative ends incorrectly, or mix and use old and new batteries or different types of batteries.
20. For some products with built-in lithium batteries, please use a dedicated charger for charging, and follow the correct operating instructions within the prescribed voltage and temperature range.
21. The warranty last for one year. Consumables like batteries, adapters, power cords, and other accessories are not covered by the warranty.
22. The one-year warranty will be invalidated if the equipment is found to have been repaired privately. The related repair costs will be charged.
23. Equipment malfunctions caused by non-standard operations are not covered by the warranty.
24. The safety instructions are based on our factory's strict testing. If there are any changes in the equipment's design and specifications, we reserve the right not to notify you. Customers can visit our official website to check the latest digital version of the instructions and learn about the newest product information.

Keep these instructions!

PRODUCT INTRODUCTION






Thank you for purchasing our “GVM-PRO-SD650B”. This product is specially designed for senior photographers. The product usage scenarios are suitable for live broadcast / outdoor / studio photography, etc., and can also be used for YouTube video shooting.

The main features of the product are:

1. It has high-definition COB beads, which help to restore and enrich the color of objects, providing you with natural and vivid shooting effects.
2. APP control, can be controlled through your iOS and Android smart mobile device; support Bluetooth Mesh networking, you can group control with GVM brand devices that support Mesh networking.
3. With standard DMX interface, DMX control mode of low precision 8bit and high precision 16bit can be realized.
4. 3 lighting modes, CCT mode, light source matching mode, light effect Mode.

We firmly believe that the correct use of this product will be of great help to your shooting work. It is strongly recommended that you read the following user guide carefully before using the product.

WARNING:

-  High-power LED lights are strictly prohibited from being directly viewed or shining into other people's eyes.
-  Do not unplug the power cord or connecting wires while the light is on to avoid personal injury.
-  Do not cover the heat dissipation port when the lamp is in operation.
-  Keep children away from touching or using this light.
-  As professional lighting equipment, please make sure to operate it correctly according to the user manual.

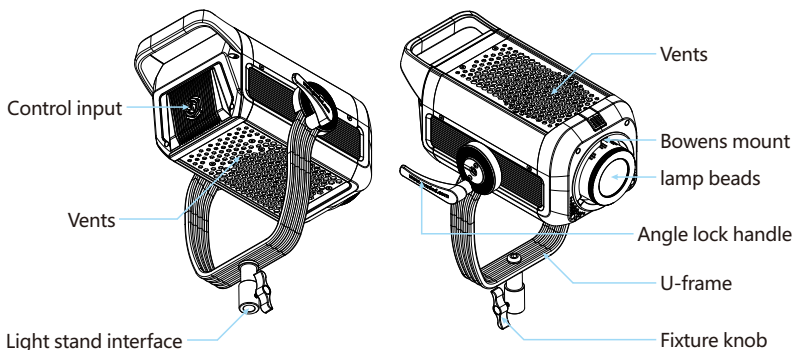
DISCLAIMERS

1. Before using this product, please read the text carefully to ensure that the correct operation of the product is carried out. Failure to follow and not following the instructions and warnings in this document may cause damage to the product or other surrounding items, or even harm you and others around you.
2. By using this product, you are deemed to have carefully read the disclaimer and warning, understand and agree all the terms and contents of this statement, and promise to take full responsibility for the use of this product and the possible consequences.
3. Design and specifications are subject to change without notice.

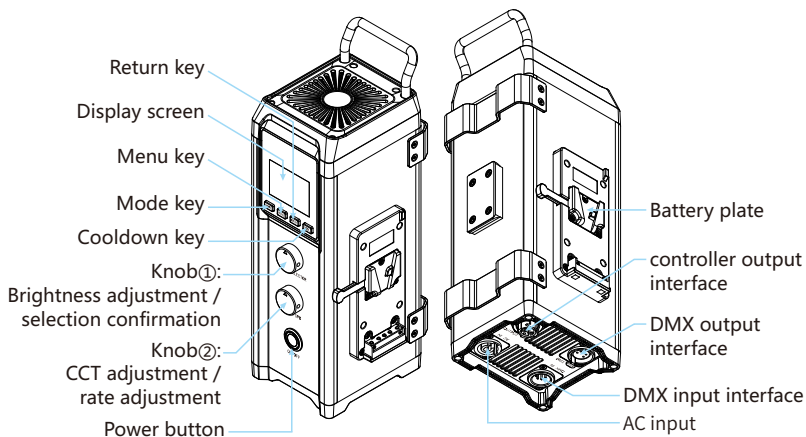
PRODUCT PARAMETER

- ◆ Brand : GVM
- ◆ Product Model : GVM-PRO-SD650B
- ◆ Product Name : Photography light
- ◆ Product Type : Photography fill light
- ◆ Features : Multiple light effect modes, high display index lamp beads
- ◆ Control Methods : DMX, Wireless remote control, Light body control, APP Bluetooth MESH network control
- ◆ Lamp Beads Quantity : 1 (COB lamp beads)
- ◆ Color Rendering Index : ≥ 97
- ◆ Color Temperature : 2700K~6800K
- ◆ Lumen: Bare light 21300lux/1m ; standard cover 81300lux/1m
- ◆ Light Adjustment Method : Step-less adjustment
- ◆ Power : 650W
- ◆ Product Net Weight : 6.7KG
- ◆ Controller Net Weight : 2.6KG
- ◆ Product Size (mm) : 484 × 278 × 164
- ◆ Controller Size (mm) : 136×133×335
- ◆ Power Supply Mode : AC & Battery (V-mount battery)
- ◆ Voltage : AC:100V~240V
- ◆ Cooling : Heat sink + fan
- ◆ Product Material : Aluminum alloy
- ◆ Commodity Origin : China. Huizhou

PRODUCT STRUCTURE DIAGRAM



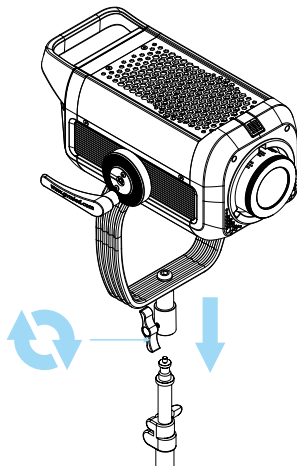
Light



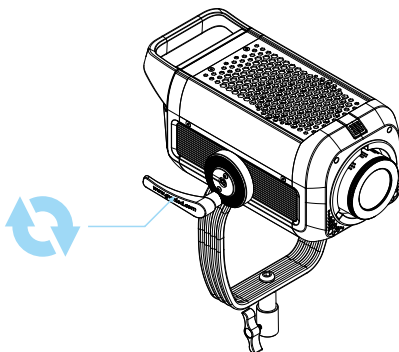
Controller

INSTALLATION METHOD

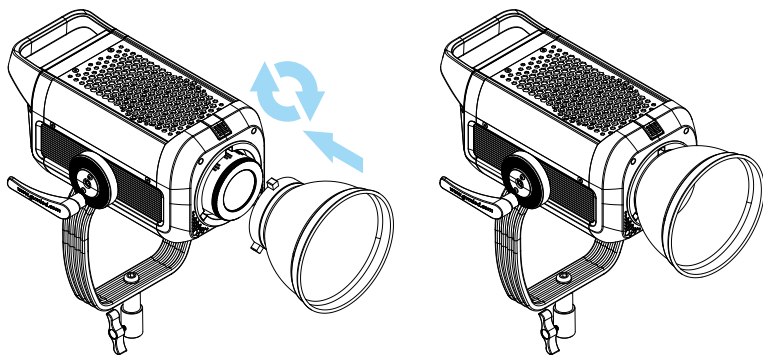
- 1 Loosen the light stand fixing knob, install the light to the light stand as shown below, then tighten the light stand fixing knob.



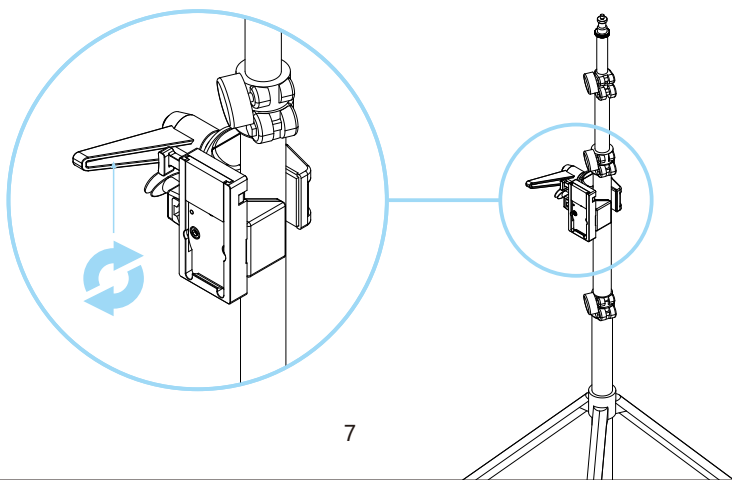
- 2 Loosen the angle locking handle, adjust the angle of the spotlight, then tighten the angle locking handle.



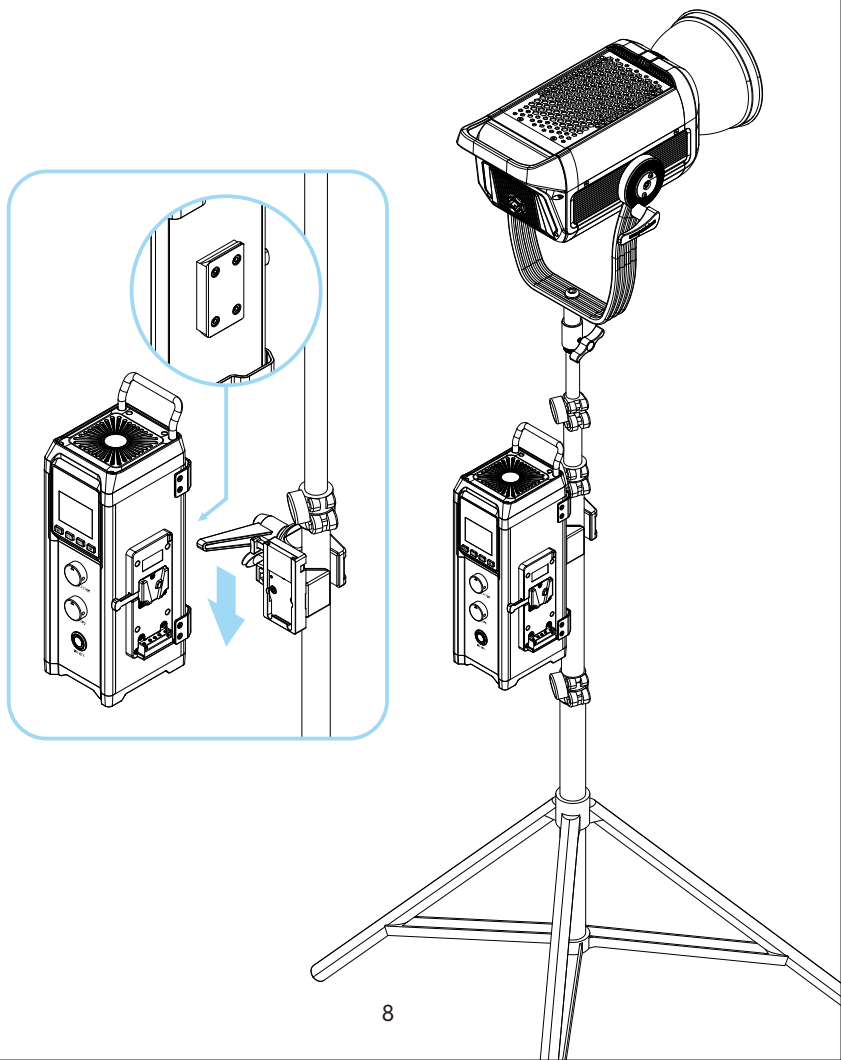
- 3 Insert the standard cover into the corresponding Bowens bayonet socket of the light, then turn it clockwise gently. To remove the cover on the light, pull it outward and rotate it counterclockwise.



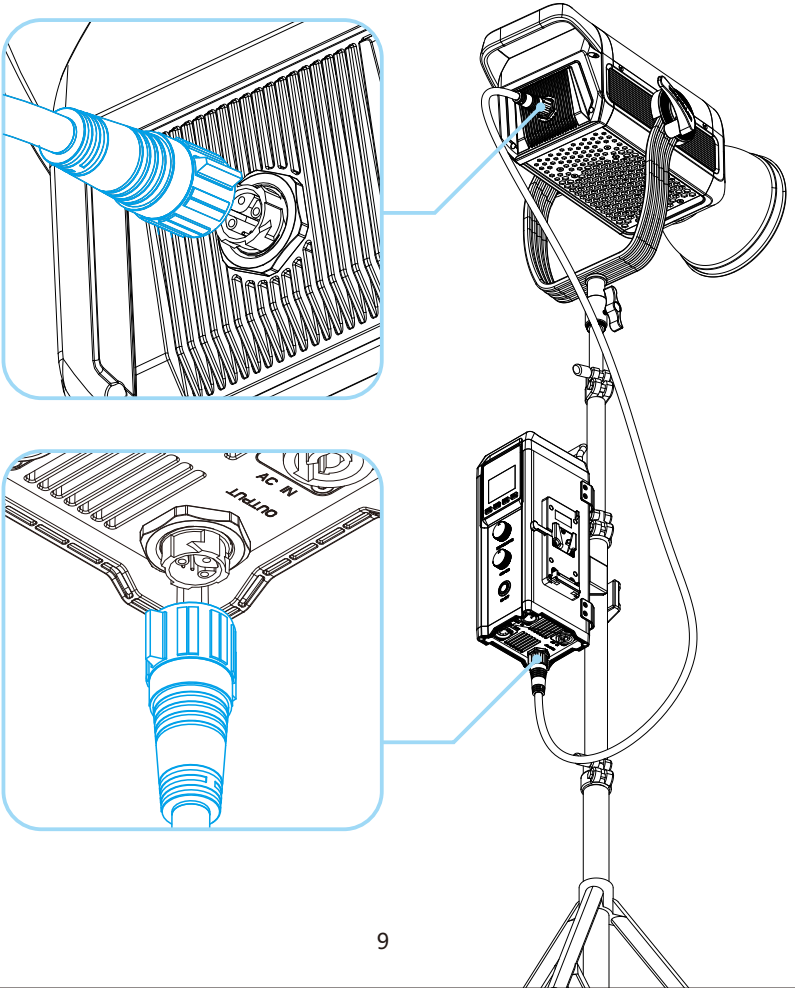
- 4 Install the controller fixing clip on the light stand as shown in the figure below.



- 5 Follow the steps shown in the figure below to install the controller on the controller fixing clip first.



6 As shown in the figure below, use the control wire to connect the light and the controller.

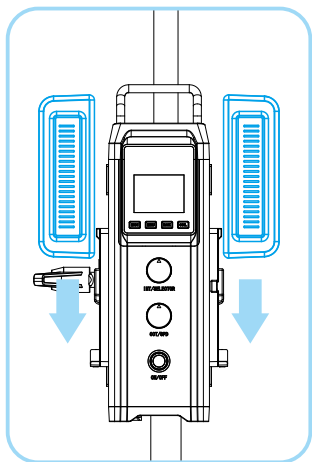


7 There are two power supply modes to choose from:

① Use the AC power cord for power supply.

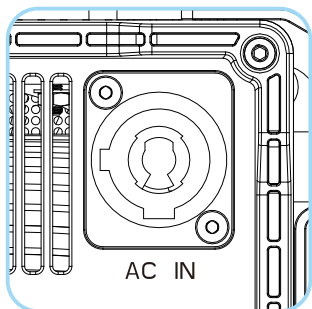
② Use two V button batteries for power supply.

(Batteries must be inserted into both battery slots to provide power, and the power is halved when using batteries.)

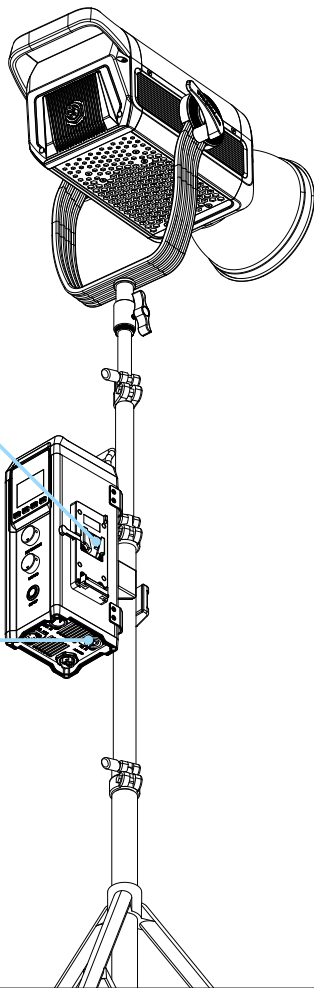


Battery slot

(Battery needs to be purchased separately)

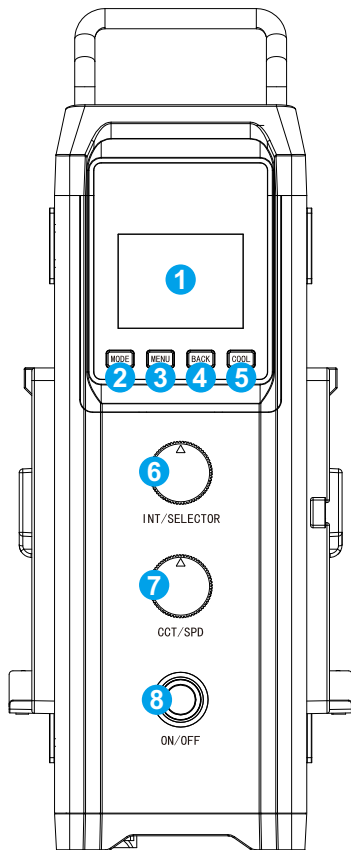


Power input interface



DESCRIPTION OF PRODUCT CONTROL KEYS

- 1 Display: Display current settings, modes and parameters.
- 2 Mode key: light mode switch button.
- 3 Menu key: press this key to enter the settings menu.
- 4 Return key: press this key to return to the previous level menu.
- 5 Cooling key: start a large air volume cooling until the temperature decreased to a touchable temperature.
- 6 Knob ①: INT/SELECTOR multi-functional coding knob, by pressing or rotating can be "Select/Brightness" adjustment.
- 7 Knob ②: CCT/SPEED adjustment, by rotating it, you can adjust color temperature and light effect change rate.
- 8 Power the ON/OFF button.



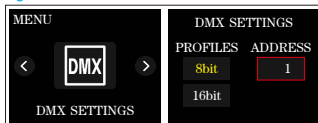
FUNCTION INTRODUCTION & INSTRUCTIONS FOR USE

① MENU :

DMX SETTINGS (Figure 1):

Set the DMX parameters, [address (001-512)] and configure the mode [(8bit/16bit)].

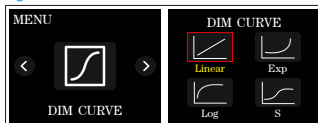
Figure 1



DIM CURVE (Figure 2):

Set the dimming curve, [linear / logarithmic / exponential / S curve].

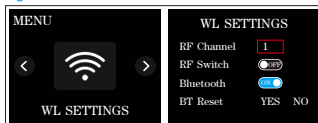
Figure 2



WL SETTINGS (Figure 3):

RF channel settings, RF switch, Bluetooth switch, Bluetooth reset.

Figure 3



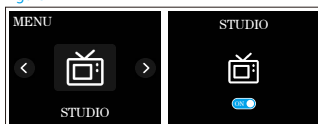
STUDIO (Figure 4):

Set the studio mode and non-studio mode.

Studio mode: Brightness remains the same of last setting after power-on.

Non-Studio mode: Brightness reset to default setting after power-on.

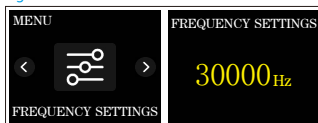
Figure 4



FREQUENCY SETTINGS (Figure 5):

Set the dimming frequency.

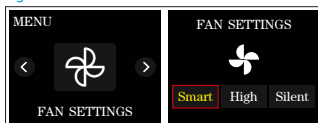
Figure 5



FAN SETTINGS (Figure 6):

Set the cooling fan mode.

Figure 6



LANGUAGE (Figure 7):

Set the system language.

Figure 7



SYSTEM SETTINGS (Figure 8):

View system information and restore Factory Settings.

Figure 8

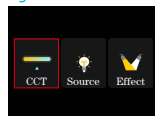


② MODE :

Three lighting modes included: CCT mode, Light Source mode, Light Effects mode.

Press MODE button ,enter the main page of mode selection (Figure 9) → rotate [knob ①] to select the mode → Press [knob ①] to enter the corresponding mode interface → set the parameter of the item by pressing or rotating [knob ①] → press [BACK] to go up one level.

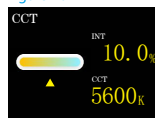
Figure 9



CCT mode (Figure 10):

White light mode, adjustable light intensity and color temperature. [Knob 1] can be used to adjust the brightness, and [Knob 2] can be used to adjust the color temperature.

Figure 10



Light source mode (Figure 11):

This mode provides 12 different types of light sources to choose from, which can save a lot of adjustment time when you need a specific light source.

Rotate and short-press the [SELECTOR] key to select Source mode to select the desired light source effect.

Figure 11



Light Effect Mode (Figure 12):

This mode provides 12 light effects: lightning, CCT cycle, candle, bad bulb, TV, paparazzi, explosion, breathing light, strobe, flame, firework, welding.

Rotate and short-press the [SELECTOR] button to select FX mode, you can choose a variety of light effects.

Figure 12



APP CONTROL

APP download method

(Scan the QR code on the back of the manual to download the APP)

Android version : Official website QR code, Google Play, Huawei Store, etc.

iOS version : App Store

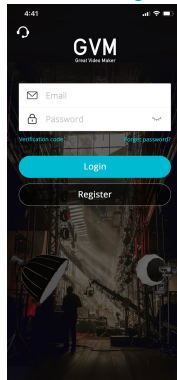
Register Account

Register and sign in with your email address. (Figure 1)

There may be a delay in sending the verification code, and the delivery speed depends on the email server you are using.

Some email servers may recognize our verification emails as advertising Please check your blocked email inbox.

Figure 1

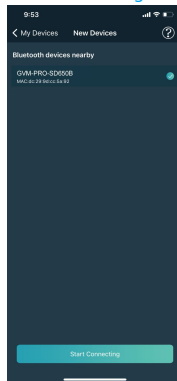


Adding Devices

- ① Before adding devices, please make sure you have turned on the Bluetooth and network data function of your phone, and reset the Bluetooth of your lighting device.
- ② Click the "Add Device" button on the "My Devices" page to find the nearby Bluetooth lighting devices that have been opened, and select the device to be connected to the network. (Figure 2)

* Android devices need to open the location permission to connect the device with Mesh technology, we will not collect any of your location information in this process.

Figure 2



Equipment management

① After successfully adding your lighting device, your device will be displayed in the "My Devices" list; (Figure 3)

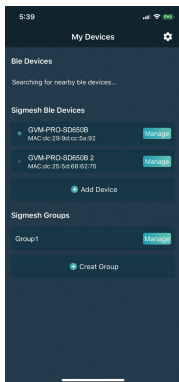


Figure 3

② Click the device bar to enter the device control. (Figure 4)

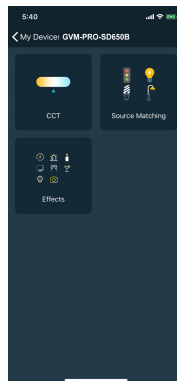


Figure 4

USE AND PRESERVATION

Do not place the product in a high humidity, strong electromagnetic fields, direct sunlight, or high-temperature environment. If the product will not be used for a long time, please disconnect its power and remove the battery.

Clean: Before cleaning, disconnect the power plug. And use a damp cloth instead of any detergent or soluble liquids to avoid damaging the surface layer.

Power: Make sure the power is within the demanded range, not too high or too low. Correctly load the battery, in order not to damage the machine.

Repairing: If there is a fault or performance degradation, do not unpack the shell by yourself, avoiding damage to the machine and losing the right of maintenance. When there is a fault, do not hesitate to contact us, and we will do our best to deal with the problem.

Accessories: Please use the accessories provided by the manufacturer and approved ones, to maximize the performance.

Warranty: Do not modify the product, or you will lose the right to maintenance.

QUICK TROUBLESHOOTING

Phenomenon	Check the product	Troubleshooting
The switch indicator does not light up.	① Whether the connection between the lamp and the power supply is normal.	Make sure the adapter is well connected with the power plug.
	② When using a lithium battery to supply power, make sure that the battery does not have "low battery" protection.	Use the product after recharging the batteries.
After the APP enters to add a device, the Bluetooth of the device cannot be searched.	Check whether the device is normally turned on and whether it has been bound by another person's connection.	Normal steps: ① The mobile phone turns on the Bluetooth and network data functions, and the Android system needs to turn on the location permission; ② Reset the device Bluetooth.
The APP fails to connect to The network configuration of the device.	Check whether the device is turn on normally and whether it has been bound by another person's connection; Check whether the Bluetooth and network of the mobile phone is well connected.	After resetting the device's Bluetooth and restarting the App, try to connect again.
The device cannot be searched after being removed from the APP.	Whether the device is offline in network status. Remove the device if it is not in good connection.	After resetting the Bluetooth of the device, search and add the device again.
Clicking on the device in the APP cannot enter the control.	Check whether the device is online (a small green dot is displayed); If it is offline, you can check according to the steps of the distribution network connection failure.	Restart the device, wait for 5 seconds, and then control it when it is displayed as online; reset the Bluetooth of the device, and re-add the device to the device list.

PACKING LIST

Name	Quantity	Notes
Photography Lights	1	
AC Power Cable	1	
Controller Cable	1	
Controller	1	
Controller Clip	1	
Standard Cover	1	
Spotlight Protective Cover	1	
Magic Cable Tie	4	
Carrying Case	1	
Manual	1	

PRECAUTIONS

1. The product is not waterproof, it needs to be protected against wet conditions condensation, dripping and splashing water, air humidity;
2. The product is not anti-corrosion, do not let the product get into contact with any corrosive liquid;
3. When the product is in use, ensure that the product is placed firmly to prevent it from falling and being damaged;
4. When the product is not used for a long time, please turn off the power of the product to save energy consumption;

PRODUCT WARRANTY

Dear user, this warranty card is important proof for applying for warranty service. Please cooperate with the salesperson to fill it out and keep it properly. Thank you!

Product Information	Model Number	Product Barcode
User Information	Name	Contact Number
	Mailing Address	
Seller Information	Name	
	Contact Number	
	Mailing Address	
	Sales Date	
Remarks		

Note: this form should be confirmed by the salesperson's stamp.

Applicable Products

This document applies to the products listed in the relevant "Product Warranty Information" (see instructions below). Other products or components that do not fall within this scope (such as promotional products, gift items, and other components added after the factory) are not covered by this warranty promise.

Warranty Period

The corresponding warranty period for products and components shall be executed according to the relevant "Product Warranty Information". The warranty period starts from the first day of purchase of the product, and the date of registration on the warranty card at the time of purchase shall prevail.

How to Obtain Warranty Service

You can directly contact the product salesperson or authorized service agency, or call GVM's after-sales service hotline to contact us and have our service personnel arrange service for you. When applying for warranty service, you should provide a valid warranty card as a warranty certificate to be eligible for warranty service. If you cannot provide a valid warranty card, we may also provide you with warranty service under the circumstance that our products or components are confirmed to be within the warranty scope, but this is not our obligation.

Cases where warranty does not apply:

If the product meets the following conditions, the warranty and service under this document will not apply:

1. The product or parts have exceeded the corresponding warranty period.
2. Malfunctions or damages caused by incorrect or improper use, maintenance, or storage, such as improper handling, use for purposes other than the reasonable expectations of the product, incorrect insertion or removal of external devices, falling or crushing due to external force, or exposure to inappropriate temperature, solvents, acids, alkalis, water immersion, or damp environments.
3. Malfunctions or damages caused by unauthorized installation, repair, modification, addition, or disassembly by institutions or personnel not authorized by GVM.
4. Modifications, changes, or removals of the original identification information of the product or its parts.
5. Lack of valid warranty card.
6. Malfunctions or damages caused by the use of unauthorized, non-standard or non-publicly released software.
7. Malfunctions or damages caused by force majeure or accidents;
8. Other malfunctions or damages not caused by quality issues of the product itself. In such cases, you should seek solutions from the relevant responsible parties, and GVM will not be held liable. Malfunctions or damages caused by components, accessories, or software not covered by the warranty or beyond the warranty scope that renders the product unable to function properly are not covered by the warranty. Fading, wear, and consumption that is normal during the product usage process is not covered by the warranty.

Product Warranty and Service Support Information

The product warranty period and service types are implemented according to the following "Product Warranty Information" for each product category, component, and optional equipment:

Product Category	Optional	Maintenance Period(Month)	Warranty Service Type
Component	Circuit Board	12 Month	Customer service repair
Other	Imaging lens, softbox, adapter, power cord, battery Handle, light stand, battery holder, battery, Fresnel lens, grid, belt, etc. Consumable or electrically sensitive parts are not covered by the warranty.	None	No Warranty



GVM Official website



Facebook



Download APP

Huizhou City Latu Photographic Equipment Co., Ltd.

Web: www.gvmled.com

B&H Email: bh@gvmled.com

GVM Email: support@gvmled.com

Amazon Email: amazonsupport@gvmled.com

Warehouse Add: 4301 N Delaware Ave, unit D. PHILADELPHIA, PA19137, USA