

GVM[®]
Great Video Maker

TQ-L

CONTENTS

Product Introduction -----	Page 1
Disclaimers -----	Page 2
Product Details -----	Page 2
Product Structure Analysis -----	Page 3
Installation Method -----	Page 4~7
Function Introduction And Instruction For Use -----	Page 8
APP Playback Settings -----	Page 9~10
Use And Preservation -----	Page 10
Precautions -----	Page 10
Packing List -----	Page 11
Product Warranty -----	Page 12~13

PRODUCT INTRODUCTION

Thanks for using "TQ-L", this product is specially created for senior photography enthusiasts. The product can solve the problem of forgetting words and wrong words in live broadcast/studio photography/YouTube video shooting, making broadcasting more relaxed and natural.

The main features of the product are:

1. The base and bracket made of aluminum alloy make the equipment both light and strong.
2. The whole set of equipment adopts a simple and user-friendly hand-tightening screw structure, which is quick and easy to install. It has a multi-stage installation method. The distance between the 'IPAD bracket' and the 'camera bracket' and the mirror screen and the height of the camera can be adjusted as needed. Simple operation and convenient control.
3. The shooting aspect is compatible with the installation of SLRital cameras/camcorders and other photographic equipment; the inscription aspect is compatible with the installation of IPAD and display screens.
4. The mirror plane adopts a colorless beam splitter, the surface is multilayer dielectric coating (hard film), no light loss, suitable for all kinds of highdefinition lenses, wide viewing angle design, the prompter document display is clear, there is no ghost, and the shooting is not worn.

We firmly believe that the correct use of this product will definitely be of great help to your shooting work. It is strongly recommended that you read the following user guide carefully before using the product.

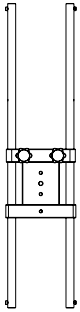
DISCLAIMERS

1. Before using this product, please read the text carefully to ensure that the correct operation of the product has been carried out. Failure to follow and not following the instructions and warnings in this document may cause harm to you and others around you, or even damage the product or other surrounding items.
2. By using this product, you are deemed to have carefully read the disclaimer and warning, understand and acknowledge all the terms and contents of this statement, and promise to take full responsibility for the use of this product and the possible consequences.
3. Design and specifications are subject to change without notice.

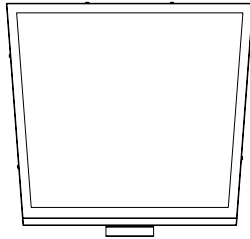
PRODUCT DETAILS

- ◆ Brand : GVM
- ◆ Product Name : Teleprompter
- ◆ Product Mode : TQ-L
- ◆ Product Type : Photography Equipment
- ◆ Product Weight : 5KG
- ◆ Holding Weight : 10KG
- ◆ Product Size(mm) : 575x415x380
- ◆ Product Material : Aluminum Alloy
- ◆ Function / Feature :
 - ① Support Phone & IPad.(Within 12.9 in)
 - ② Lightweight and easy to assemble and simple to operate.
 - ③ You can use a variety of photography equipment including mirrorless single-lens, single-lens reflex, and cameras.
- ◆ Commodity origin : China. Huizhou

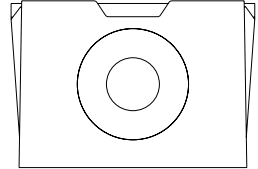
PRODUCT STRUCTURE ANALYSIS



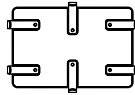
Base



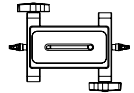
Mirror screen components



Hood

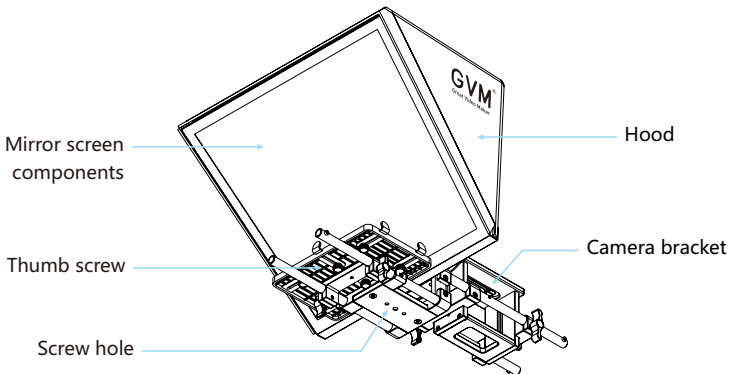


Ipad bracket



Camera bracket

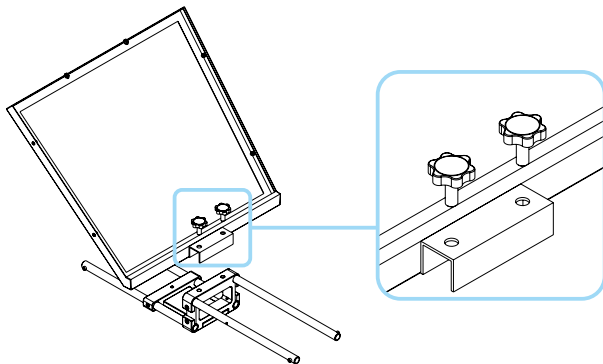
Before assembly



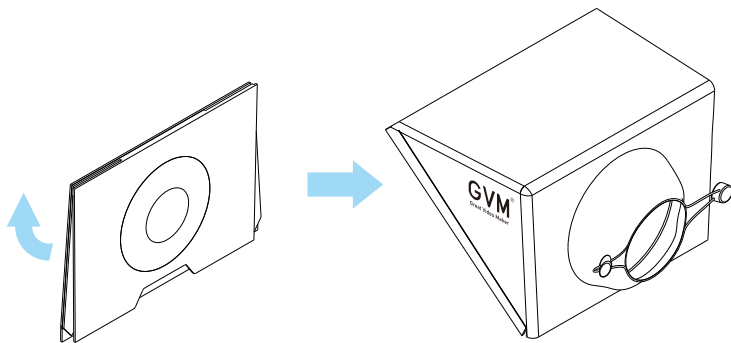
After assembly

INSTALLATION METHOD

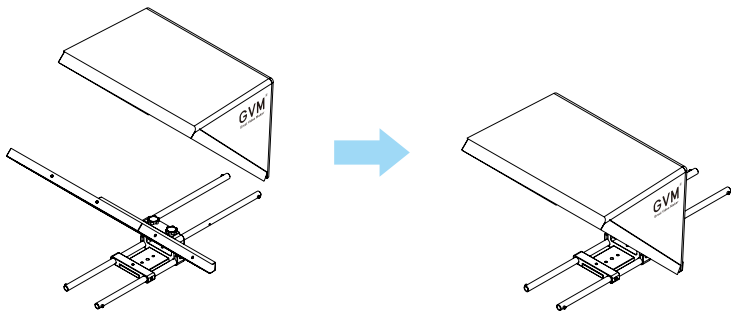
- 1 As shown in the figure below, install the 'mirror screen assembly' to the 'base' and fix it with screws.



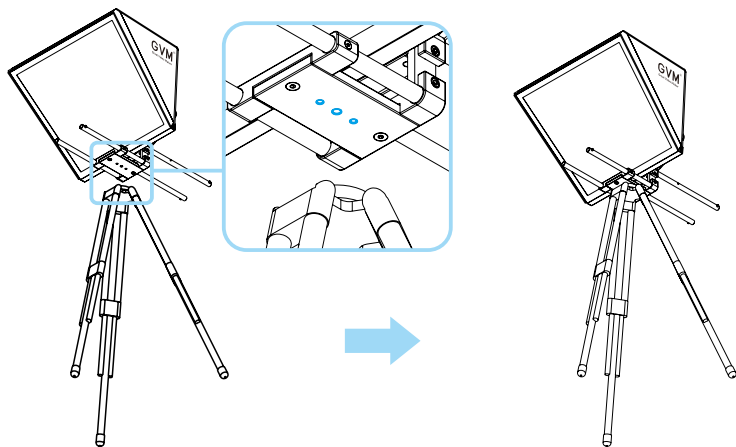
- 2 Unfold the 'shading hood' as shown in the figure below.



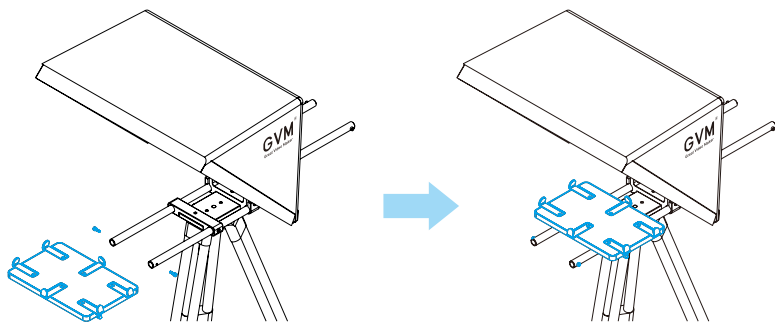
- 3 As shown in the figure below, install the 'shading cover' to the 'mirror screen assembly' through the magnet on the 'shading cover'.



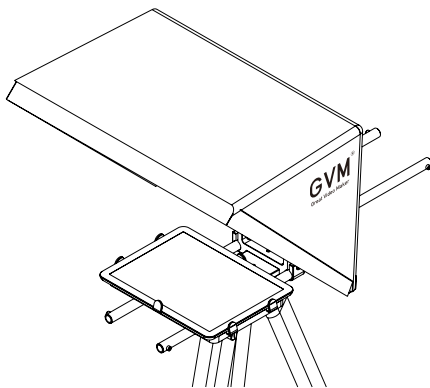
- 4 Install the 'prompter' on the tripod as shown in the figure below.



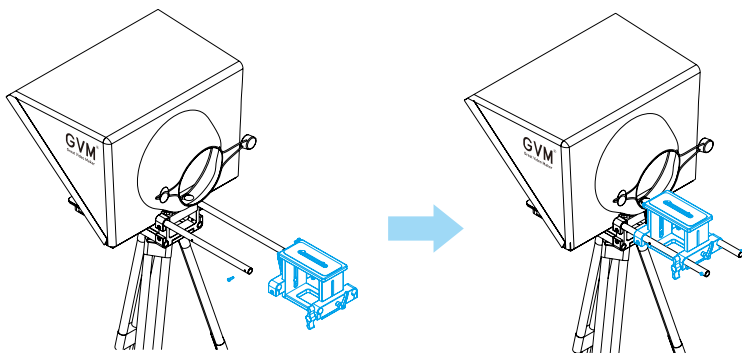
- 5 As shown in the figure below, first loosen the screws on the front of the 'base', install the 'IPad bracket' on the 'base', and then install the screws back.



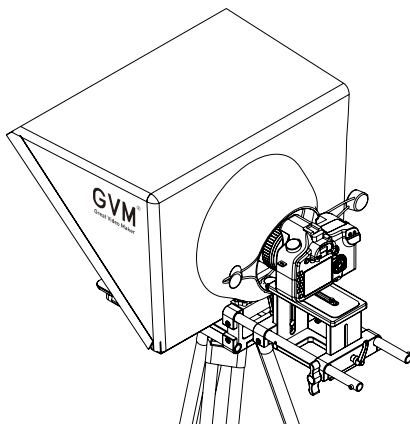
- 6 As shown in the figure below, install the 'IPAD' on the 'IPad Bracket'.



- 7 As shown in the figure below, first loosen the screws at the back of the 'base', install the 'camera bracket' to the 'base', and then install the screws back.



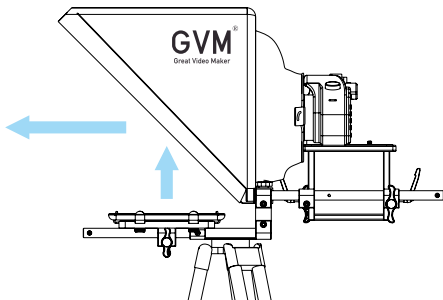
- 8 As shown in the figure below, install the 'camera' to the 'camera holder'.



FUNCTION INTRODUCTION AND INSTRUCTION FOR USE

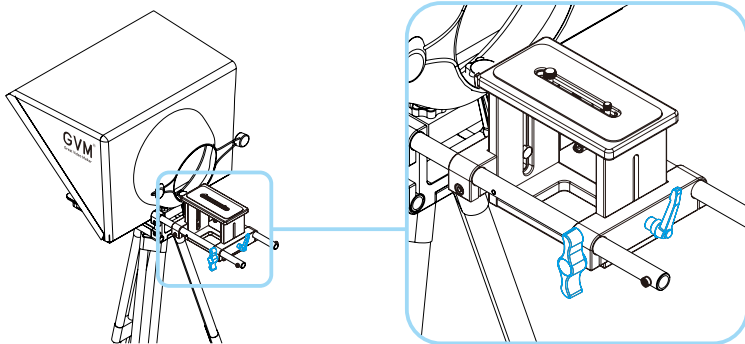
① Reflect the content displayed by iPad :

The mirror screen can reflect the content displayed on the IPAD below when the camera is shooting, so that the person being photographed can see the content of the IPAD in the mirror screen directly looking at the lens, which has a good prompting effect on the person being photographed, and does not Affect the shooting.



② Compatible with various photographic equipment :

“Camera bracket” can be installed SLR, camcorder, digital camera, DV machine.
Loosen the knob shown below toadjust the position of the “camera stand”.

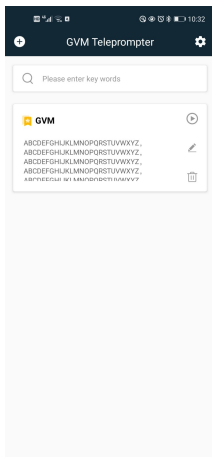


APP PLAYBACK SETTINGS

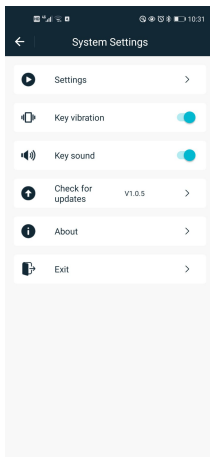
Scan the QR code on the back of the manual to download the APP

Open the "GVM Teleprompter" software on your mobile phone → enter the APP, you can use. The APP sets the content, font size, playback speed, background color and whether to mirror the prompt.

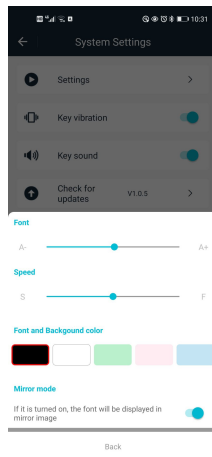
APP main interface




Setting interface



Playback settings Interface



1. On the main interface of the APP, click " + " in the upper left corner to create a play file, you can choose "Add directly" is written on the APP, and can also import existing txt or Word files on the phone. The play file is created → a new play file appears on the main interface of the APP.
2. On the main interface of the APP, click on the right side of the file to be set:
 - " 🗑️ " Delete Files;
 - " ✎️ " Modify the content of the file;
 - " ▶️ " To enter the play interface → click " ⏸️ " on the play interface to start/pause the text; Click " ⋮ " in the lower right corner to set the font size, playback speed, and background when playing text. Color and whether it is mirrored; click on the " ⬅️ " in the lower left corner to return to the main interface of the APP.

1. On the main interface of the APP, click “” in the upper right corner to enter the setting interface → click on the play setting to enter the playback setting interface. Here you can also set the font size and broadcast, Play speed, background color and whether to mirror.

USE AND PRESERVATION

Do not store this machine in a highly humid environment with strong direct sunlight.

Cleaning: Please use a damp cloth to clean, do not use any detergent or solvent, otherwise it will damage the surface processing layer.

Maintenance: If the machine is faulty or its performance is degraded, please do not repair it yourself to avoid damage to the machine and loss of warranty rights. In case of machine malfunction, please contact us in time, and we will do our best for you.

Accessories: Please use the accessories provided by the manufacturer or approved accessory products in order to give full play to the best performance.

Warranty: This machine does not contain modifiable parts. Do not disassemble or modify, otherwise the warranty rights will be lost.

PRECAUTIONS

1. The product is not waterproof, please use it in a rainproof environment.
2. The product is not anti-corrosion, therefore do not let the product touch any corrosive liquid.
3. When using the product, make sure the product is put firmly and prevents falling and damage.

PACKING LIST

Name	Quantity	Notes
Mirror component	1	
Hood	1	
Baase	1	
Ipad bracket	1	
Camera bracket	1	
Control Manual	1	

PRODUCT WARRANTY

Dear user, this warranty card is important proof for applying for warranty service. Please cooperate with the salesperson to fill it out and keep it properly. Thank you!

Product Information	Model Number	Product Barcode
User Information	Name	Contact Number
	Mailing Address	
Seller Information	Name	
	Contact Number	
	Mailing Address	
	Sales Date	
Remarks		

Note: this form should be confirmed by the salesperson's stamp.

Applicable Products

This document applies to the products listed in the relevant "Product Warranty Information" (see instructions below). Other products or components that do not fall within this scope (such as promotional products, gift items, and other components added after the factory) are not covered by this warranty promise.

Warranty Period

The corresponding warranty period for products and components shall be executed according to the relevant "Product Warranty Information". The warranty period starts from the first day of purchase of the product, and the date of registration on the warranty card at the time of purchase shall prevail.

How to Obtain Warranty Service

You can directly contact the product salesperson or authorized service agency, or call GVM's after-sales service hotline to contact us and have our service personnel arrange service for you. When applying for warranty service, you should provide a valid warranty card as a warranty certificate to be eligible for warranty service. If you cannot provide a valid warranty card, we may also provide you with warranty service under the circumstance that our products or components are confirmed to be within the warranty scope, but this is not our obligation.

Cases where warranty does not apply:

If the product meets the following conditions, the warranty and service under this document will not apply:

1. The product or parts have exceeded the corresponding warranty period.
2. Malfunctions or damages caused by incorrect or improper use, maintenance, or storage, such as improper handling, use for purposes other than the reasonable expectations of the product, incorrect insertion or removal of external devices, falling or crushing due to external force, or exposure to inappropriate temperature, solvents, acids, alkalis, water immersion, or damp environments.
3. Malfunctions or damages caused by unauthorized installation, repair, modification, addition, or disassembly by institutions or personnel not authorized by GVM.
4. Modifications, changes, or removals of the original identification information of the product or its parts.
5. Lack of valid warranty card.
6. Malfunctions or damages caused by the use of unauthorized, non-standard or non-publicly released software.
7. Malfunctions or damages caused by force majeure or accidents;
8. Other malfunctions or damages not caused by quality issues of the product itself. In such cases, you should seek solutions from the relevant responsible parties, and GVM will not be held liable. Malfunctions or damages caused by components, accessories, or software not covered by the warranty or beyond the warranty scope that renders the product unable to function properly are not covered by the warranty. Fading, wear, and consumption that is normal during the product usage process are not covered by the warranty.

Product Warranty and Service Support Information

The product warranty period and service types are implemented according to the following "Product Warranty Information" for each product category, component, and optional equipment:

Product Category	Optional	Maintenance Period(Month)	Warranty Service Type
Component	Android integrated display screen	12 Month	Customer service repair
Other	Projection glass, Bluetooth remote control, lens hood , phone/tablet clip, storage bag, and all other accessories.	None	No Warranty

QC
PASS



GVM Official website



Facebook



Download APP

Huizhou City Latu Photographic Equipment Co., Ltd.

Web: www.gvmled.com

B&H Email: bh@gvmled.com

GVM Email: support@gvmled.com

Amazon Email: amazonsupport@gvmled.com

Warehouse Address: 12285 MCNULTY RD, STE 105 PHILADELPHIA, Pennsylvania 19154, USA