

# GVM

**GVM-PRO-SD650B**

# CONTENTS

Important Safety Instructions -----	Page 1~2
Warning -----	Page 2
Product Introduction -----	Page 3
Disclaimers -----	Page 3
Product Parameter -----	Page 4
Product Structure Diagram -----	Page 5
Installation Method -----	Page 6~10
Description Of Product Control Keys -----	Page 11
Function Introduction & Instructions For Use -----	Page 12~14
Introduction & Use Of DMX -----	Page 15
APP Control -----	Page 16~17
Use And Maintenance -----	Page 17
Quick Troubleshooting -----	Page 18
Precautions -----	Page 19
Packing List -----	Page 19
Product Warranty -----	Page 20~21

# IMPORTANT SAFETY INSTRUCTIONS






**First and foremost: this product is professional lighting and staging equipment and should be used by a professional lighting technician or under the guidance of a professional. When using this product, you must always follow the cautions below:**

1. Read the product manual carefully before use.
2. This product is only suitable to use in a temperature range of -20°C to 45°C.
3. Do not place the equipment near flammable and volatile solvents such as alcohol and gasoline.
4. Before storing the device, make sure it has cooled down completely. When being stored, unplug the power cord from the device. The equipment should be stored in its carrying case or a well-ventilated and dry place.
5. This lighting fixture is not for general illumination and should not be used as such. Individuals with eye injuries or sensitivity should avoid using this lighting fixture.
6. This is a professional light and children are prohibited from using it. Parents or guardians must closely supervise children when they are near the equipment to prevent personal injury caused by colliding with or misusing the equipment.
7. Before using the equipment, please remove the protective cover.
8. When the lighting fixture is on, it is forbidden to stare directly at the light source under any circumstances. High-intensity lighting should only be used under the guidance of a professional lighting technician. Avoid staying in a high-intensity light environment for a long time. If feeling any discomfort, please immediately turn off the lighting fixture, and seek medical attention.
9. When the lighting fixture is on, use it carefully and avoid contacting high-temperature components such as LED light sources to prevent being burnt.
10. Do not use damaged equipment or accessories. Wait for a professional repairman to inspect and repair it before it is confirmed that the equipment can function normally.
11. If the light source is damaged or deformed due to heat, please stop using it and contact the manufacturer, service agents, or qualified repairman promptly to replace the light source to avoid accidents.
12. If the product is cracked due to falling, squeezing, or strong impact during use, please stop use it to avoid being electrically shocked by touching internal electronic components.
13. Do not disassemble the product by yourself. If the product malfunctions, it must be checked and repaired by the manufacturer or authorized repair personnel.
14. Before cleaning and maintenance, be sure to unplug the power supply. To unplug never pull on the cable but always pull the plug itself. This device shall only operate with earthed power outlets or emergency power generators.
15. When cleaning the device, do not wipe it with a wet cloth. Use a dry and soft cloth to wipe off the dirt.
16. If an extension cord is required, it needs to have the necessary capacity to power the respective unit. Using an extension cord with a lower current capacity than the devices need may cause overheating.

17. For some products with long power cords, please place the power cords properly and avoid contact with overheated surfaces that may damage or trip personnel. Please use the original power cords of our manufactory. The damage caused by using non-original power cords is not covered by our repair service.
18. Do not use product accessories that are not recommended by our brand to avoid fire, electric shock, or personal injury.
19. Some products use batteries for power supply. Do not use any batteries, power sources, or accessories that are not specified in the user manual. Please keep batteries and other accessories out of reach of children and infants. If a child or infant swallows a battery or accessory, seek medical attention immediately. If the battery leaks, changes color, deforms, smokes, or emits an odor, remove it immediately. Be careful not to get burned during the removal. Continued use of such batteries may cause a fire, electric shock, or skin burns. Do not use any deformed or modified batteries. Do not disassemble or modify this product or the battery. Do not heat the battery or solder it. Do not let the battery come into contact with fire or water, or subject it to strong external force. Do not insert the battery's positive and negative ends incorrectly, or mix and use old and new batteries or different types of batteries.
20. For some products with built-in lithium batteries, please use a dedicated charger for charging, and following the correct operating instructions within the prescribed voltage and temperature range.
21. The warranty last for one year. Consumables like batteries, adapters, power cords, and other accessories are not covered by the warranty.
22. The one-year warranty will be invalidated if the equipment is found to have been repaired privately. The related repair costs will be charged.
23. Equipment malfunctions caused by non-standard operations are not covered by the warranty.
24. The safety instructions are based on our factory's strict testing. If there are any changes in the equipment's design and specifications, we reserve the right not to notify you. Customers can visit our official website to check the latest digital version of the instructions and learn about the newest product information.

## Keep these instructions!

### **WARNING:**

-  High-power LED lights are strictly prohibited from being directly viewed or shining into other people's eyes.
-  Do not unplug the power cord or connecting wires while the light is on to avoid personal injury.
-  Do not cover the heat dissipation port when the lamp is in operation.
-  Keep children away from touching or using this light.
-  As professional lighting equipment, please make sure to operate it correctly according to the user manual.

# PRODUCT INTRODUCTION

Thank you for choosing the GVM-PRO-SD650B. These high-performance COB LED lights are designed with the needs of professional photographers and videographers in mind. It is perfect for a wide range of creative scenarios, including live broadcasting, outdoor and studio photography, as well as YouTube video production. Whether you're working in film, television, or digital media, this versatile lighting solution delivers consistent, high-quality illumination for every shot.

The main features of the product are:

1. This product features high definition COB light chips that can render highly accurate colors. Which can ultimately enrich and bring out the actual color of the subject in frame. Creating a natural looking image.
2. APP control: This light can be controlled by your IOS and Android smart mobile devices; as well as be group controlled along with other GVM brand devices that support Bluetooth mesh networking.
3. With standard DMX 512 input, a low precision 8bit and a high precision 16bit DMX control can be achieved, Supports RDM.
4. 3 types of light modes: CCT mode, Source Matching mode, and Effects mode.
  - CCT Mode: Adjust the light's intensity and color temperature as needed.
  - Source Matching Mode: Choose from 12 simulated light sources. This mode is available only when controlled via the app.
  - Effects Mode: Access 12 simulated lighting effects. This mode is available when using the app, DMX, or RF remote control.

We firmly believe that proper use of this product will greatly enhance your production workflow. We strongly recommend reading the following user guide carefully before using the product.

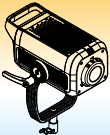
## DISCLAIMERS


1. Before using this product, please read the text carefully to ensure that the correct operation of the product to be carried out. Fail to follow and not following the instructions and warnings in this document may cause damage the product or other surrounding items, or even harm to you and others around you.
2. By using this product, you are deemed to have carefully read the disclaimer and warning, understand and agree all the terms and contents of this statement, and promise to take full responsibility for the use of this product and the possible consequences.
3. Design and specifications are subject to change without notice.

# PRODUCT PARAMETER

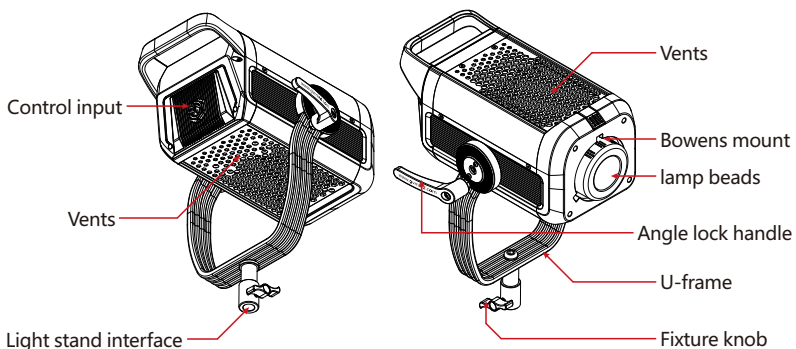
- ◆ Brand: GVM
- ◆ Product Model: GVM-PRO-SD650B
- ◆ Product Name: Photography light
- ◆ Product Type: Photography fill light
- ◆ Color Rendering Index:  $\geq 97$
- ◆ Color Temperature: 2700K~6800K
- ◆ Input power:  $\leq 650W$
- ◆ Output power:  $\leq 650W$
- ◆ Product Net Weight: 6.7KG
- ◆ Controller Net Weight: 2.6KG
- ◆ Product Size (mm): 484×164×278
- ◆ Controller Size (mm): 136×133×335
- ◆ Protection level: Ip65
- ◆ Product Material: Aluminum alloy
- ◆ Commodity Origin: China. Huizhou
- ◆ Features: Multiple light effect modes, High display index lamp beads
- ◆ Control Methods: APP Bluetooth MESH network control, DMX/RDM, Light body control, Wireless remote control
- ◆ Bluetooth Controllable Distance:  $\leq 50M$
- ◆ RF Controllable Distance:  $\leq 50M$
- ◆ Lamp Beads Quantity: 1 (COB lamp beads)
- ◆ Light Adjustment Method: Step-less adjustment
- ◆ Power Supply Mode: AC & Battery(V-mount battery)
- ◆ Voltage: AC:100V~240V
- ◆ Working current: 7.5A
- ◆ Operating temperature: -10-45°C
- ◆ Cooling: Heat sink + fan, Passive + active heat dissipation

## Illuminance data

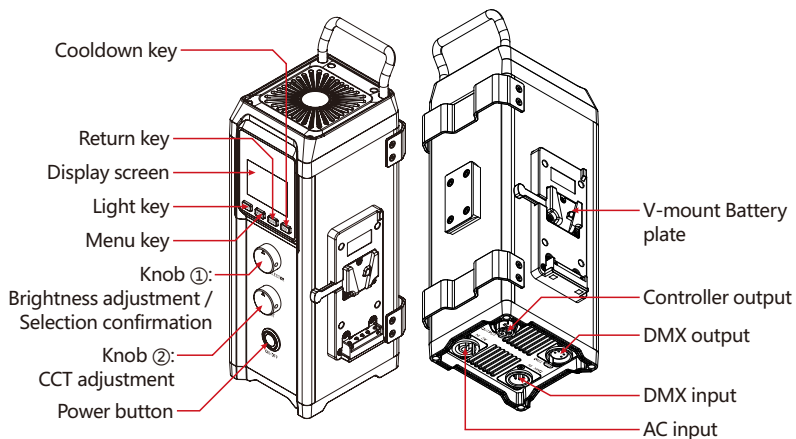
Distance	CCT	1m/3.3ft	3m/9.8ft	5m/16.4ft
	2700	17300 lux	2080 lux	769 lux
	4300	18900 lux	2290 lux	846 lux
	5600	20400 lux	2460 lux	908 lux
	6800	21300 lux	2580 lux	953 lux

Distance	CCT	1m/3.3ft	3m/9.8ft	5m/16.4ft
	2700	64300 lux	6190 lux	2100 lux
	4300	71700 lux	6780 lux	2320 lux
	5600	77300 lux	7310 lux	2500 lux
	6800	81300 lux	7680 lux	2640 lux

# PRODUCT STRUCTURE DIAGRAM



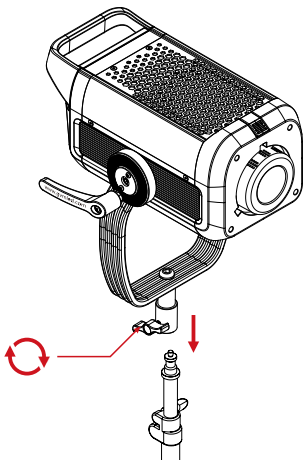
**Light**



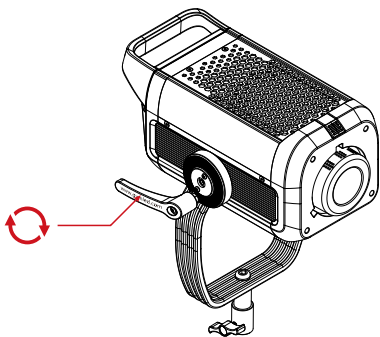
**Controller**

# INSTALLATION METHOD

- 1 Loosen the light stand fixing knob, install the light to the light stand as shown below, then tighten the light stand fixing knob.

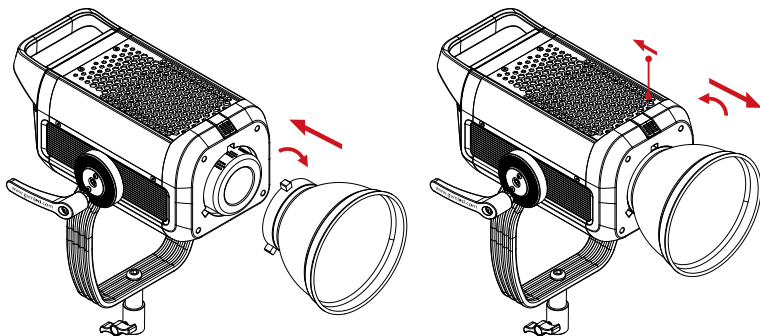


- 2 Loosen the angle locking handle, adjust the angle of the spotlight, then tighten the angle locking handle.

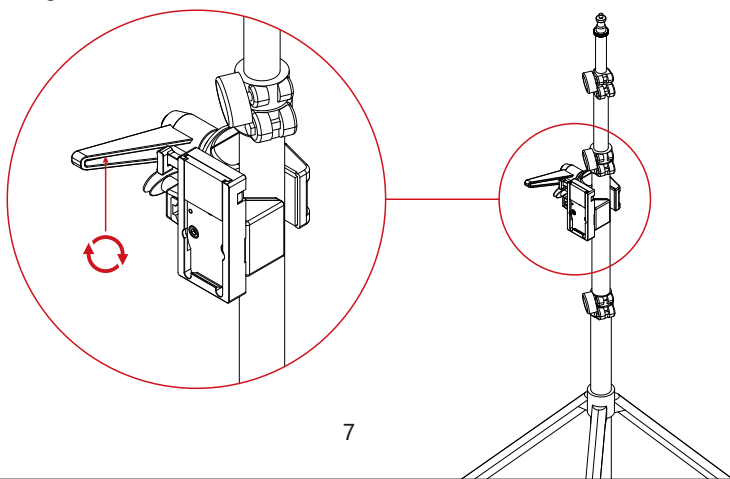




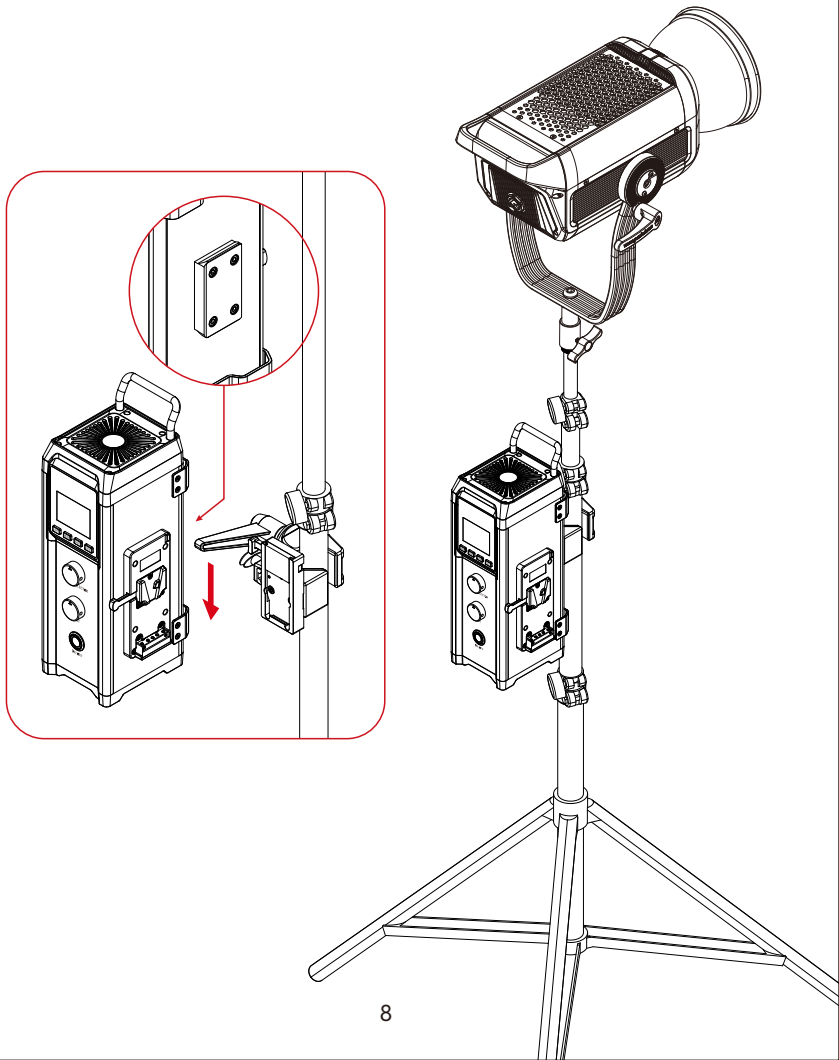
- 3** Insert the standard reflector into the corresponding Bowens mount socket of the light, then turn it clockwise gently. To remove the standard reflector on the light, push the Bowens mount release clip and rotate the reflector counterclockwise to disassemble the standard cover.



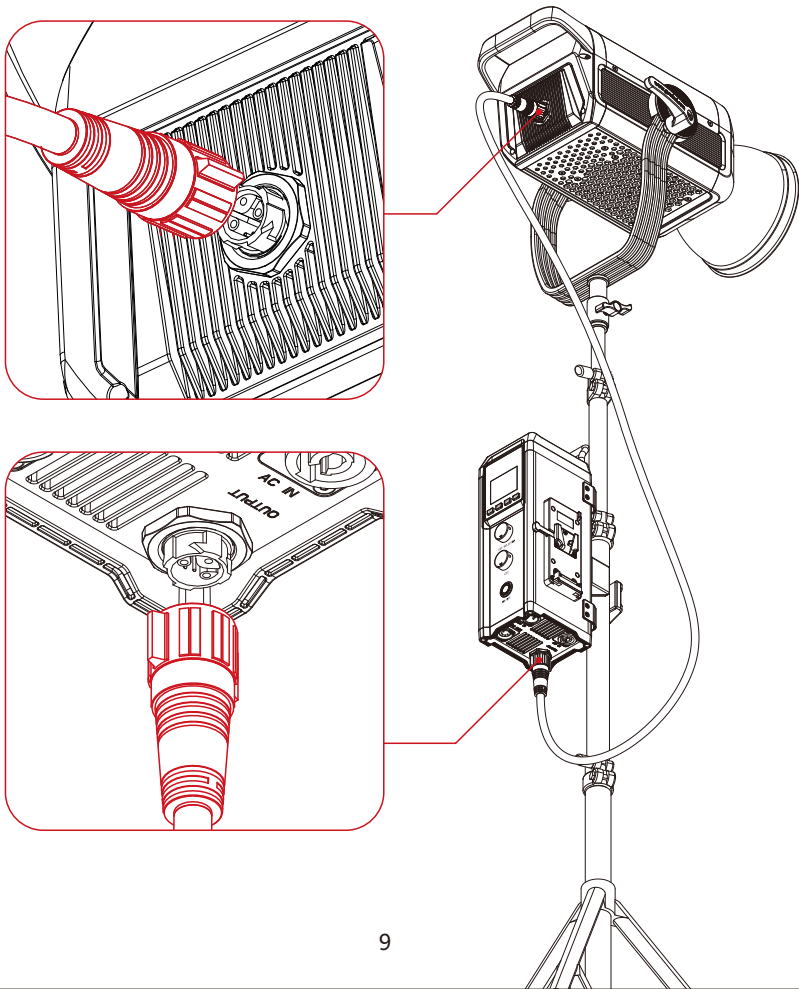
- 4** Attach the quick release control ballast mount onto the light stand as shown in the figure below.



- 5 Follow the steps shown in the figure below to install the controller onto the quick release clamp.



- 6 As shown in the figure below, use the control head cable to connect the light and the controller.

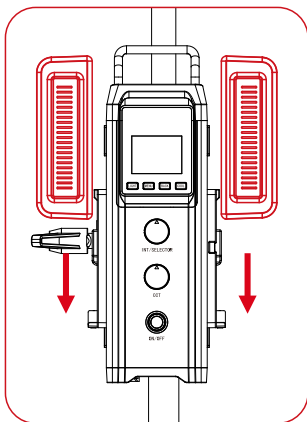


**7** There are two power supply method, AC and Battery power supply. Fully turn off the light before switching between power supply. Do not perform operations under load.

1. AC Power Supply: Use the AC power cable for power supply.

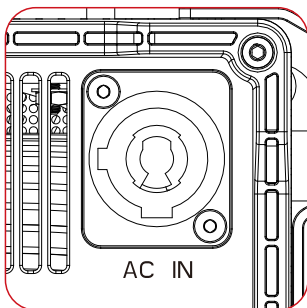
2. Battery Power: Use two V button batteries for power supply.

(Batteries must be inserted into both battery slots to provide power, with V-mount battery attached the light's maximum output is limited to 200W~250W.)

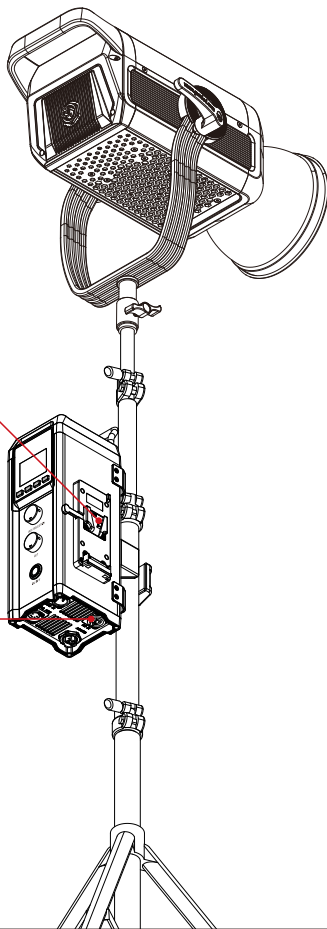


**Battery Slot**

(Battery needs to be purchased separately)

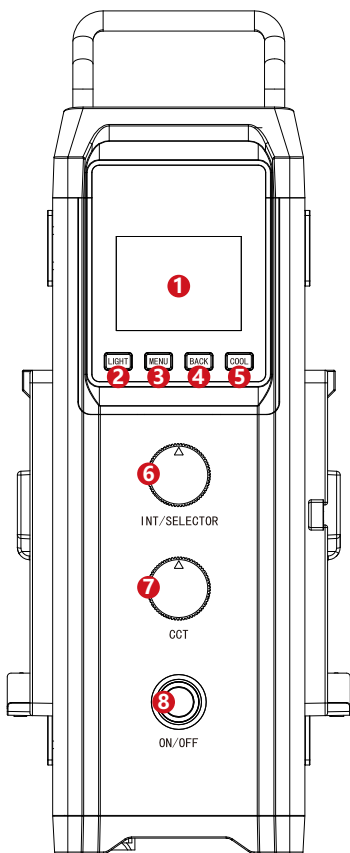


**Power Input Port**



# DESCRIPTION OF PRODUCT CONTROL KEYS

- 1** Display:  
Display current settings, modes and parameters.
- 2** Light key:  
Press this key to enter the CCT mode.
- 3** Menu key:  
Press this key to enter the settings menu.
- 4** Return key:  
press this key to return to the previous page.
- 5** Cooling key:  
start an instant large volume air cooling until the temperature decreased to a touchable temperature.
- 6** Knob 1:  
INT/SELECTOR multi-functional knob, by pressing or rotating you can go through menu or adjust Brightness level.
- 7** Knob 2:  
By rotating you can adjust the corresponding parameter in current mode.
- 8** Power ON/OFF button.



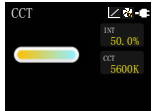
# FUNCTION INTRODUCTION & INSTRUCTIONS FOR USE

## ① CCT Mode :

Press [LIGHT] button to enter the CCT mode. In this mode you can adjust light intensity and color temperature.

INT: Current light intensity parameter, Rotate [Knob 1] to adjust the brightness.

CCT: Current light color temperature parameter, Rotate [Knob 2] to adjust the color temperature.



## ② Menu Page :

Press the [MENU] button to enter the menu setting page. Rotate [Knob 1] to select a sub menu. Press [Knob 1] to enter the corresponding menu page → Press or rotate [Knob 1] to set parameters → Press [BACK] key to return to the previous menu.

### DMX SETTINGS:

DMX Address: Set the address parameters of the DMX.

DMX Mode: Select the DMX mode.



### DIM CURVE:

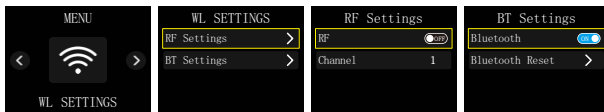
Select the type of dimming curve [Linear/Log/Exp/S].



## WL SETTINGS:

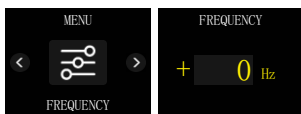
RF Settings: Set RF ON/OFF and channel parameters.

BT Settings: Set Bluetooth ON/OFF and Bluetooth reset.



## FREQUENCY:

Set parameters for dimming frequency.



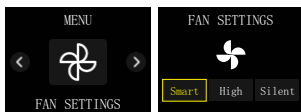
## FAN SETTINGS:

Select the operating mode of the cooling fan between [Smart/High Speed/Silent].

Smart: Changes the fan speed as the temperature changes.

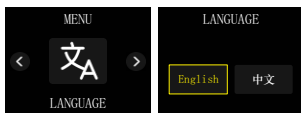
High speed: The fan runs at the maximum speed. You are advised to enable this mode when the ambient temperature is higher than 40°C.

Silent: The silent mode stops the fan from rotating and decreases the lights output power to as low as 60W. This mode is not recommended for prolonged use.



## LANGUAGE:

Select the language [English/Chinese] displayed on the screen.



## SYSTEM SETTINGS:



Products: View system firmware information.


Run Status: View the current running status of the product.

System Reset: Restore factory settings.

















## ③ Full fan heat dissipation (COOL) :

Press [COOL] to enter [Full Speed mode ], and press [COOL] again to exit [Full speed mode ].

Full Speed Mode : This mode generates higher noise levels and is best suited for environments with high ambient temperatures where noise is not a concern.



## ④ Status indication specification :

	The current power supply		Dimming curve: Linear		Fan mode: Smart
	Currently battery powered		Dimming curve: Exp		Fan mode: High
	The device is disconnected		Dimming curve: Log		Fan mode: Silent
	Bluetooth connected		Dimming curve: S		Fan mode: Full speed
	DMX mode is enabled and the DMX console is connected		Remote control		

## ⑤ APP/DMX/RF control :

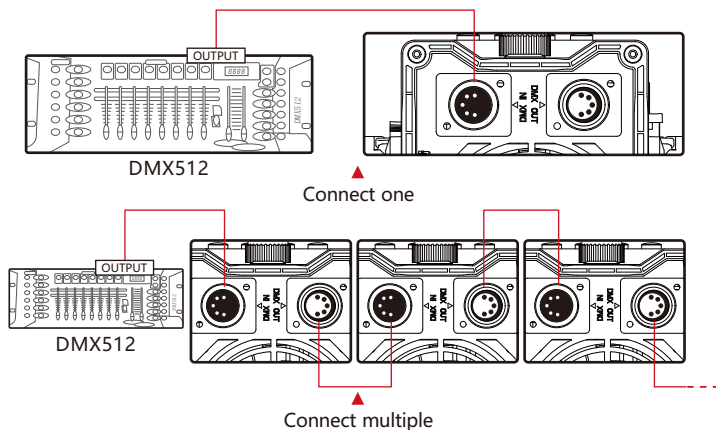
APP Control: Adjust brightness and color temperature. Access Source Matching Mode with 12 simulated light sources and Effects Mode with 12 simulated lighting effects.



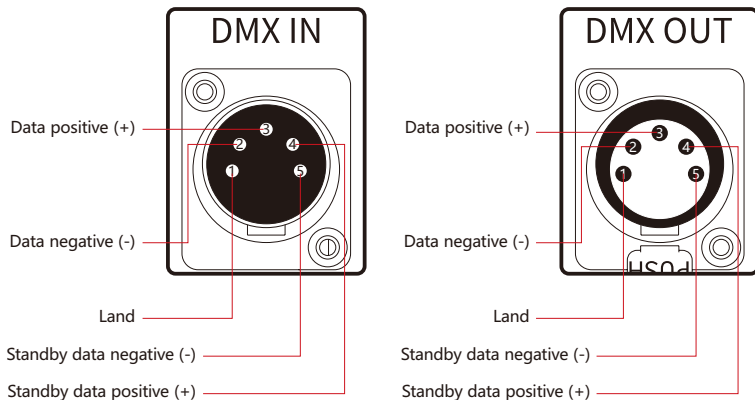
DMX/RF Remote Control: Adjust brightness and color temperature. Access Effects Mode, which includes 12 simulated lighting effects.



# INTRODUCTION & USE OF DMX



\*DMX interface definition is shown in the figure:



# APP CONTROL

## APP Download Method

(Scan the QR code on the back of the manual to download the APP)

Android Device: Official website QR code, Google Play, Huawei Store, etc.

iOS Device: App Store

## Device-adding

1. Before adding a device, please make sure you have turned on your phone's Bluetooth and network data, accessibility to Bluetooth and network data, then reset the lighting device's Bluetooth.
2. Click the "Add Device" button on the "My Devices" page to find the Bluetooth light devices that have been turned on nearby. (Figure 1)
3. Select the device to be connected for pairing. (Figure 2)

\* Android requires location permissions to be turned on in order to connect your device using mesh technology, and we do not collect any of your location information during this process.

## Device Management

1. After successfully adding your lighting device, your device will be displayed in the "My Devices" list. (Figure 3)
2. Click on the Device to access the device control. (Figure 4)

Figure 1

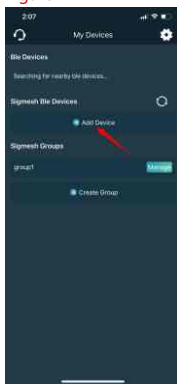


Figure 2

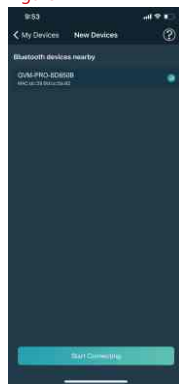


Figure 3



Figure 4



## Account Login

- ◆ Use e-mail to get the verification code to log in (the first login automatically registers the account). (Figure 5)
- ◆ There may be a delay in sending the verification code, and the speed of delivery depends on the e-mail server you are using.
- ◆ Some email servers may recognize our verification emails as advertising promotions, please check your spam folder/inbox.
- ◆ After logging in, you can synchronize the Mesh Bluetooth devices bound to the current account to other smart devices.

Figure 5



## USE AND MAINTENANCE

**Environment:** Do not place the product in areas with high humidity, strong electromagnetic fields, high temperatures, or direct sunlight. If the product will not be used for an extended period, disconnect the power supply.

**Cleaning:** Unplug the power before cleaning. Use a dry cloth only—avoid cleaning agents or solventbased liquids, as they may damage the surface.

**Power:** Ensure the power supply is within the specified voltage range. Using a voltage that is too high or too low may affect performance.

**Repairs:** If the product experiences a fault or performance degradation, do not attempt to disassemble it yourself, as this may cause damage and void the warranty. In case of a malfunction, please contact us—we will do our best to assist you.

**Accessories:** To ensure optimal performance, use only manufacturer-provided or approved accessories.

**Warranty:** Do not modify the product, as this will void the warranty.

# QUICK TROUBLESHOOTING

Issue	Check the product	Troubleshooting
The indicator does not light up.	Whether the connection between the light and the power supply is normal.	Make sure the adapter is well connected with the power plug.
	When using a lithium battery to supply power, make sure that the battery does not have "low battery" protection.	Use the product after recharging the batteries.
While using the APP to add a device, the Bluetooth of the device cannot be found.	Check if the device is turned on properly and that it is not already paired by someone else connection.	Follow these steps: 1. Turn on phone's Bluetooth and network data function, android devices need to turn on the GPS positioning. 2. Allow access to Bluetooth and network data, GPS positioning. 3. Reset the device Bluetooth according to the user manual.
The APP failed to pair to a device.	Check if the device is turned on properly and has not been connected or paired by others; Check if the Bluetooth and network conditions of the cell phone are good.	Reset the device Bluetooth and restart the app then try to connect again.
The device is no longer searchable after removing it from the APP.	Check if the device have been removed while it is off-lined or in poor network conditions.	Reset the device Bluetooth and then search again to add the device.
In-app device controls can not be accessed.	Check if the device is online (small green light displayed); If it's off-line, please advice to the Distribution Network Connection Failure steps.	Reboot the device, wait for 5 seconds, wait till it shows as online status. To control it; Reset the device Bluetooth and then add the device back to the device list.

## PRECAUTIONS

1. Please use the matching power adapter or lithium battery with the same specification to power the product. Do not use power adapter with different output voltage parameters.
2. The product is not waterproof, please use it in a rainproof environment.
3. The product is not anti-corrosion, therefore do not let the product touch any corrosive liquid.
4. When using the product, make sure the product is put firmly and prevents falling and damage.
5. If the product will not be used for a long time, please switch off the power to reduce energy loss.

## PACKING LIST

Name	Quantity	Notes
LED COB Light	1	
AC Power Cable	1	
Controller head Cable	1	
Control Ballast	1	
Quick Release Mounting Clap	1	
Standard Reflector	1	
Spotlight Protective Cover	1	
Magic Cable Tie	4	
Carrying Case	1	
Manual	1	

# PRODUCT WARRANTY

Dear user, this warranty card is important proof for applying for warranty service. Please cooperate with the salesperson to fill it out and keep it properly. Thank you!

Product Information	Model Number	Product Barcode
User Information	Name	Contact Number
	Mailing Address	
Seller Information	Name	
	Contact Number	
	Mailing Address	
	Sales Date	
Remarks		

Note: this form should be confirmed by the salesperson's stamp.

## Applicable Products

This document applies to the products listed in the relevant "Product Warranty Information" (see instructions below). Other products or components that do not fall within this scope (such as promotional products, gift items, and other components added after the factory) are not covered by this warranty promise.

## Warranty Period

The corresponding warranty period for products and components shall be executed according to the relevant "Product Warranty Information". The warranty period starts from the first day of purchase of the product, and the date of registration on the warranty card at the time of purchase shall prevail.

## How to Obtain Warranty Service

You can directly contact the product salesperson or authorized service agency, or call GVM's after-sales service hotline to contact us and have our service personnel arrange service for you. When applying for warranty service, you should provide a valid warranty card as a warranty certificate to be eligible for warranty service. If you cannot provide a valid warranty card, we may also provide you with warranty service under the circumstance that our products or components are confirmed to be within the warranty scope, but this is not our obligation.

## Cases where warranty does not apply:

If the product meets the following conditions, the warranty and service under this document will not apply:

1. The product or parts have exceeded the corresponding warranty period.
2. Malfunctions or damages caused by incorrect or improper use, maintenance, or storage, such as improper handling, use for purposes other than the reasonable expectations of the product, incorrect insertion or removal of external devices, falling or crushing due to external force, or exposure to inappropriate temperature, solvents, acids, alkalis, water immersion, or damp environments.
3. Malfunctions or damages caused by unauthorized installation, repair, modification, addition, or disassembly by institutions or personnel not authorized by GVM.
4. Modifications, changes, or removals of the original identification information of the product or its parts.
5. Lack of valid warranty card.
6. Malfunctions or damages caused by the use of unauthorized, non-standard or non-publicly released software.
7. Malfunctions or damages caused by force majeure or accidents.
8. Other malfunctions or damages not caused by quality issues of the product itself. In such cases, you should seek solutions from the relevant responsible parties, and GVM will not be held liable. Malfunctions or damages caused by components, accessories, or software not covered by the warranty or beyond the warranty scope that renders the product unable to function properly are not covered by the warranty. Fading, wear, and consumption that is normal during the product usage process are not covered by the warranty.

## Product Warranty and Service Support Information

The product warranty period and service types are implemented according to the following "Product Warranty Information" for each product category, component, and optional equipment:

Product Category	Accessories Name	Warranty Period(Month)	Warranty Service Type
Component	Circuit Board.	12 Month	Customer service repair
Other	Spotlight mount, softbox, adapter, Standard reflector, power cord, battery Handle, light stand, TYPE-C cable, battery slot, battery, Fresnel lens, grid, carrying bag and all other accessories, etc. Consumable or electrically sensitive parts are not covered by the warranty.	None	No Warranty

QC  
PASS



GVM Official website



Facebook



Download APP

**Huizhou Latu Film Equipment Co., Ltd.**

Web: [www.gvmled.com](http://www.gvmled.com)

B&H Email: [bh@gvmled.com](mailto:bh@gvmled.com)

GVM Email: [support@gvmled.com](mailto:support@gvmled.com)

Amazon Email: [amazonsupport@gvmled.com](mailto:amazonsupport@gvmled.com)

Warehouse Address: 12285 MCNULTY RD, STE 105 PHILADELPHIA, Pennsylvania 19154, USA