

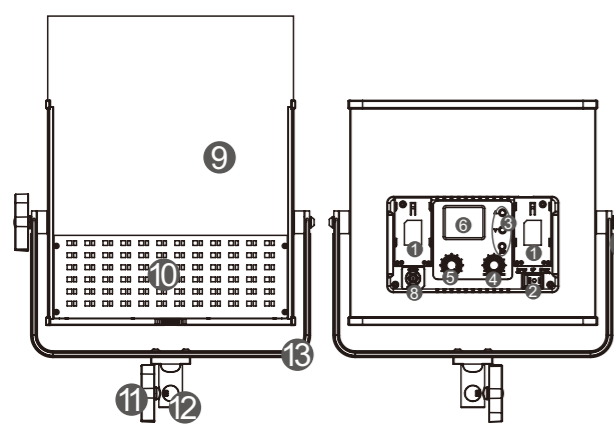
■ Product Introduction

The GVM-50RS is an ideal choice for location work, interviews and small sets where color accuracy, control, and flicker-free output are of major importance. It has 192 LED beads and 192 RGB beads. The GVM-50RS have two output modes. The first mode is color temperature from 3200K-5600K or anywhere in between means that you can quickly match the prevailing ambient or artificial light balance with a simple twist of a knob. The second mode allows you to change the Red, Green and Blue Color output and color saturation from 0-100%. Dimming is equally convenient via another knob that adjusts the light intensity from 100-0% with the negligible color shift. The GVM-50RS has an exceptional color rendering index of 97+ and lights consistently. Meanwhile, the dual power system, LCD digital display, multiple control modes and 360° rotation U bracket improve your light setup and stabilization system.

■ Main Features

- Ultra Heat Dissipation
- Delicate Design with Aviation Aluminum Alloy Housing
- High Color Rendering Index, CRI97+
- LCD digital display
- PWM Dimming Technology
- Brightness Adjustment
- Color Temperature Adjustment
- Red, Green and Blue RGB Modes
- Multi-Light Control Modes
- Dual Power System
- Convenient Light Set-UP and Stabilization System

■ Over View

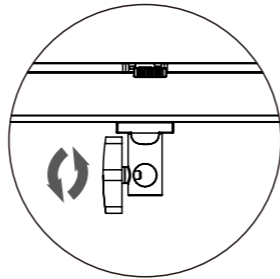


- 1 Battery plate
- 2 Power switch
- 3 Control mode select button
- 4 Rotate:Color temperature and Color Saturation Adjustment wheel
Press: LED, RED, GREEN and BLUE Mode Select Button
- 5 Brightness Adjustment Wheel
- 6 LCD digital display
- 7 U bracket adjusting knob
- 8 DC power interface
- 9 Soft diffusion
- 10 LED bead
- 11 Light stand locking knob
- 12 Hole for light stand installation
- 13 U bracket

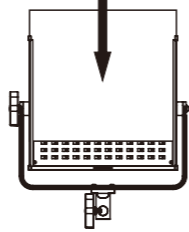
1

■ Using The Light

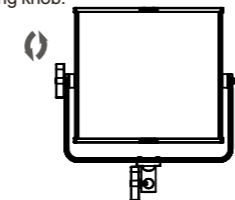
- 1 Insert the Panel on the light stand by rotating clockwise, counterclockwise to uninstall it.



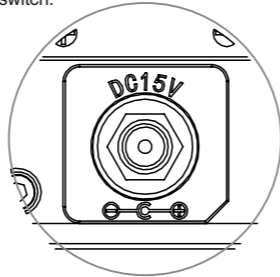
- 2 Insert the soft diffusion into the light panel sides. Fixed by diffusion brake and screw.



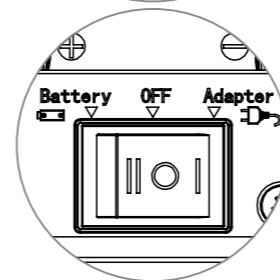
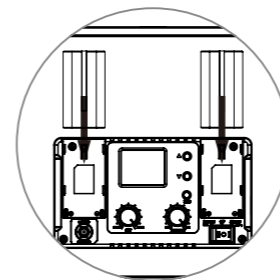
- 3 Loosen the U bracket adjusting knob, adjust the angle of the panel which you need, then tighten the U bracket adjusting knob.



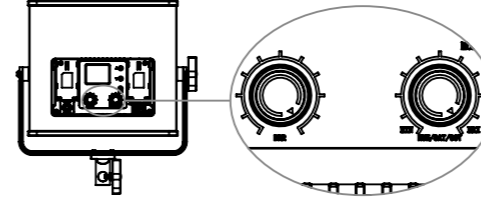
- 4 Insert the DC adapter / Put on the battery. Turn on the power switch.



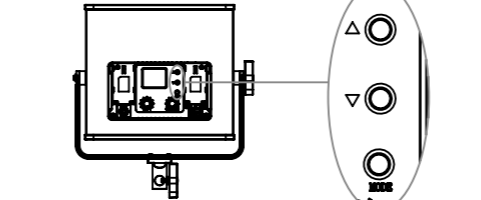
2



- 5 Rotate the "BRR" adjustment wheel clockwise to increase your brightness. Select the color mode you need by press the " CCT / HUE / SAT " Wheel to change the LED / RED / GREEN / BLUE mode. Rotate the " CCT / HUE / SAT " adjustment wheel clockwise to increase your color temperature or color saturation.

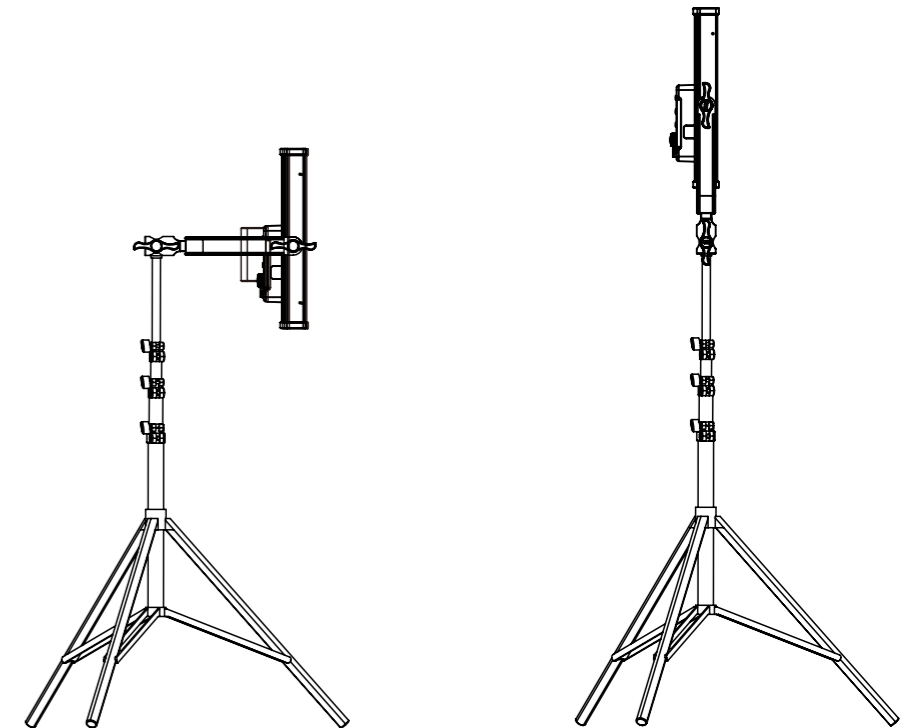


- 6 Select the control mode you need with the mode button. Rotate Mode: Adjust the wheel to control the light by your hand. IR Mode: Give up controlling the light by itself to the same group master light. Remote Mode: As a master controller to control the same channel IR Mode group lights.



■ Mounting the light to light stand

Align the light stand installation hole to the light stand, rotate the light stand locking knob. You can choose the light stand installation direction according to your operating environment need.

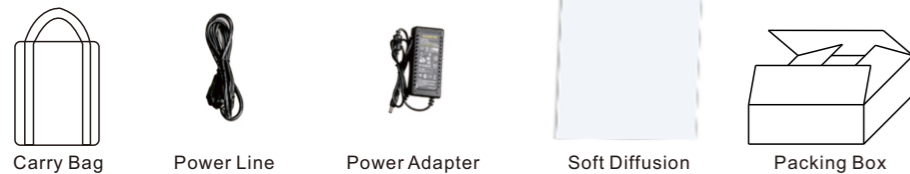


■ Specifications

Model	LED Bead	CRI	LED angle	Color Temperature	RGB	Voltage	Power Consumption	Size
GVM-50RS	384	97+	120°	3200K-5600K	Red, Green and Blue from 0-100%	DC15V	50W	323*341*80mm

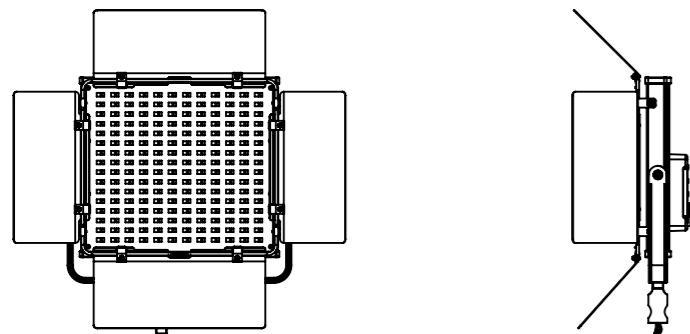
3

■ Accessories

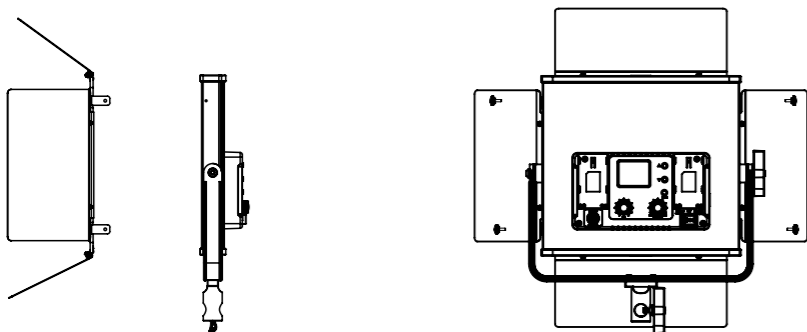


■ Installation of Barn-door and external soft filter (Barn-door and soft filter are sold separately)

1. Barn-door for lighting angle control: Install the barn-door to control the light angle as you need.

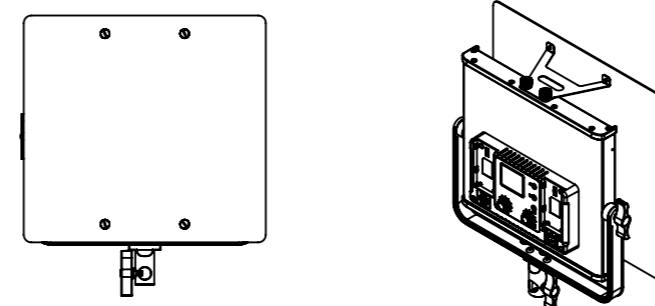


Mounting the barndoor: align the barndoor mounting holes to the light panel screw holes, use the screws to locking the barndoor.

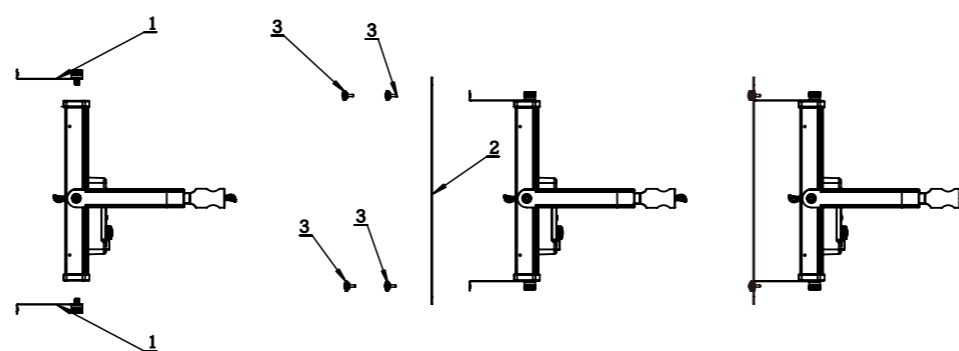


4

2. Soft diffuser: The light softer, Enhance the light softer and gives you more choice for your photography.



Mounting the enhanced soft diffusion: mount the diffusion support frame to the light panel, align the diffusion to the screw holes and use the screws to lock the diffusion.



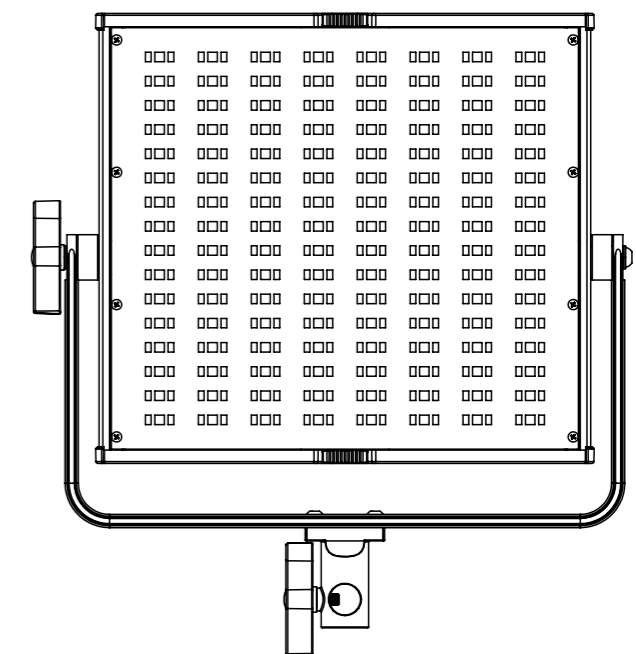
Attention

1. Do not look at the working light directly.
2. Do not cover the working light, or it will avoid the product cooling to damage it.
3. Do not place the Light at flammable items such as alcohol, gasoline or near volatile solvent.
4. Do not place any liquid on the Light interior or fall into the Light.
5. Power off when you finish using the Light in case of a fire.
6. Carefully to move the Light in the case of dropping it down.

Add: 338 N Canal St, #20, South San Francisco, CA94080, USA
Web: www.gvmlcd.com
Email: support@gvmlcd.com

5

GVM
Great Video Maker



GVM-50RS

Product Manual