

GVM

GVM-480LS

GVM-560AS

CONTENTS

Important Safety Instructions -----	Page 1~2
Warning -----	Page 2
Product Introduction -----	Page 3
Disclaimers -----	Page 3
Product Parameter -----	Page 4
Product Structure Diagram -----	Page 5
Installation Method -----	Page 6~7
Accessories Installation Method -----	Page 8~9
Description Of Product Control Keys -----	Page 10
Function Introduction & Instructions For Use -----	Page 11
APP Control -----	Page 12
APP Introduction -----	Page 13
Quick Troubleshooting -----	Page 14
Use And Preservation -----	Page 15
Precautions -----	Page 15
Packing List -----	Page 16
Product Warranty -----	Page 17~18

IMPORTANT SAFETY INSTRUCTIONS

This product is professional lighting and staging equipment and should only be operated by a qualified lighting technician or used under the supervision of a professional. Always follow the precautions below to ensure safe and proper usage.






1. Read the product manual carefully before use.
2. This product is only suitable to use in a temperature range of -10°C to 40°C.
3. Do not place the equipment near flammable and volatile solvents such as alcohol and gasoline.
4. Before storing the device, make sure it has cooled down completely. When being stored, unplug the power cord from the device. The equipment should be stored in its carrying case or a well-ventilated and dry place.
5. This lighting fixture is not for general illumination and should not be used as such. Individuals with eye injuries or sensitivity should avoid using this lighting fixture.
6. This is a professional light and children are prohibited from using it. Parents or guardians must closely supervise children when they are near the equipment to prevent personal injury caused by colliding with or misusing the equipment.
7. Before using the equipment, please remove the protective cover.
8. When the lighting fixture is on, it is forbidden to stare directly at the light source under any circumstances. High-intensity lighting should only be used under the guidance of a professional lighting technician. Avoid staying in a high-intensity light environment for a long time. If feeling any discomfort, please immediately turn off the lighting fixture, and seek medical attention.
9. When the lighting fixture is on, use it carefully and avoid contacting high-temperature components such as LED light sources to prevent being burnt.
10. Do not use damaged equipment or accessories. Wait for a professional repairman to inspect and repair it before it is confirmed that the equipment can function normally.
11. If the light source is damaged or deformed due to heat, please stop using it and contact the manufacturer, service agents, or qualified repairman promptly to replace the light source to avoid accidents.
12. If the product is cracked due to falling, squeezing, or strong impact during use, please stop use it to avoid being electrically shocked by touching internal electronic components.
13. Do not disassemble the product by yourself. If the product malfunctions, it must be checked and repaired by the manufacturer or authorized repair personnel.
14. Before cleaning and maintenance, be sure to unplug the power supply. To unplug never pull on the cable but always pull the plug itself. This device shall only operate with earthed power outlets or emergency power generators.
15. When cleaning the device, do not wipe it with a wet cloth. Use a dry and soft cloth to wipe off the dirt.
16. If an extension cord is required, it needs to have the necessary capacity to power the respective unit. Using an extension cord with a lower current capacity than the devices need may cause overheating.

17. For some products with long power cords, please place the power cords properly and avoid contact with overheated surfaces that may damage or trip personnel. Please use the original power cords of our manufactory. The damage caused by using non-original power cords is not covered by our repair service.
18. Do not use product accessories that are not recommended by our brand to avoid fire, electric shock, or personal injury.
19. Some products use batteries for power supply. Do not use any batteries, power sources, or accessories that are not specified in the user manual. Please keep batteries and other accessories out of reach of children and infants. If a child or infant swallows a battery or accessory, seek medical attention immediately. If the battery leaks, changes color, deforms, smokes, or emits an odor, remove it immediately. Be careful not to get burned during the removal. Continued use of such batteries may cause a fire, electric shock, or skin burns. Do not use any deformed or modified batteries. Do not disassemble or modify this product or the battery. Do not heat the battery or solder it. Do not let the battery come into contact with fire or water, or subject it to strong external force. Do not insert the battery's positive and negative ends incorrectly, or mix and use old and new batteries or different types of batteries.
20. For some products with built-in lithium batteries, please use a dedicated charger for charging, and following the correct operating instructions within the prescribed voltage and temperature range.
21. The warranty last for one year. Consumables like batteries, adapters, power cords, and other accessories are not covered by the warranty.
22. The one-year warranty will be invalidated if the equipment is found to have been repaired privately. The related repair costs will be charged.
23. Equipment malfunctions caused by non-standard operations are not covered by the warranty.
24. The safety instructions are based on our factory's strict testing. If there are any changes in the equipment's design and specifications, we reserve the right not to notify you. Customers can visit our official website to check the latest digital version of the instructions and learn about the newest product information.

Keep these instructions!



WARNING:

-  High-power LED lights are strictly prohibited from being directly viewed or shining into other people's eyes.
-  Do not unplug the power cord or connecting wires while the light is on to avoid personal injury.
-  Do not cover the heat dissipation port when the lamp is in operation.
-  Keep children away from touching or using this light.
-  As professional lighting equipment, please make sure to operate it correctly according to the user manual.

PRODUCT INTRODUCTION

Thank you for purchasing our "GVM-480LS / GVM-560AS". This product is specially designed for senior photography enthusiasts. The product is suitable for live / outdoor / studio photography, and also for youtube video shooting.

The main features of the product are:

1. Step-less adjustable dual color temperature feature, color range 2300K~6800K, with High color rendering index LED lamp beads, which are helpful to restore and enrich the color of objects and provide you with a natural and vivid shooting effect.
2. App intelligent control system, which can be controlled by your intelligent mobile device.
3. Digital display screen and stable system, which can support 360° rotation and effectively control the light Line. You can also install folding and external soft light board to avoid redundant light and make the light softer. You can customize the control of fill light so that you can easily shoot the desired results

We firmly believe that the correct use of this product will definitely help your shooting work. Before using the product, we strongly recommend that you carefully read the following user guide.

DISCLAIMERS

1. Before using this product, please read the text carefully to ensure that the correct operation of the product has been carried out. Failure to follow and not following the instructions and warnings in this document may cause harm to you and others around you, or even damage the product or other surrounding items.
2. By using this product, you are deemed to have carefully read the disclaimer and warning, understand and acknowledge all the terms and contents of this statement, and promise to take full responsibility for the use of this product and the possible consequences.
3. Design and specifications are subject to change without notice.

PRODUCT PARAMETER

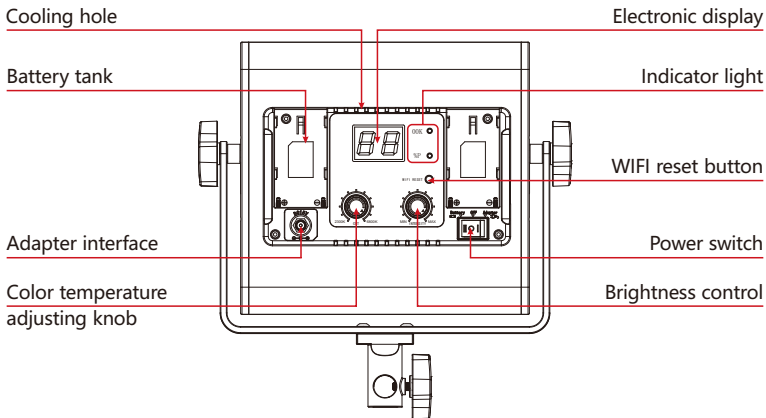
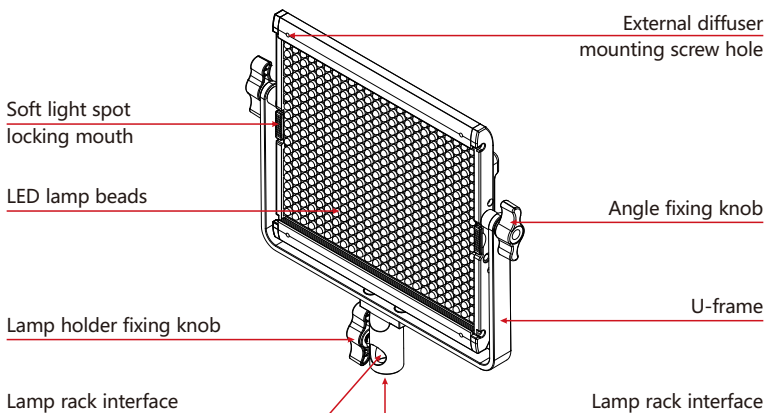
Number: GVM-480LS

- ◆ Brand: GVM
- ◆ Type: Photography fill light
- ◆ Material: Aluminum alloy
- ◆ Function/Characteristics: APP, High color rendering index light beads
- ◆ WIFI Controllable Distance: ≤50M
- ◆ Number of light beads: 480
- ◆ Color-rendering Index: ≥97
- ◆ Color Temperature: 2300K~6800K
- ◆ Illuminance: 4440lux@1m; 14100lux@0.5m
- ◆ Light angle of lamp bead: 45°
- ◆ Power: 29W
- ◆ Weight: 1KG
- ◆ Size (mm): 260×265×48
- ◆ Power Supply Mode: DC input & Battery
- ◆ Voltage: AC:100-240V
- ◆ Power specification: DC15V/3A
- ◆ Heat Dissipation: Natural way
- ◆ Light Adjustment Method: Stepless adjustment
- ◆ Origin: Huizhou, China

Number: GVM-560AS

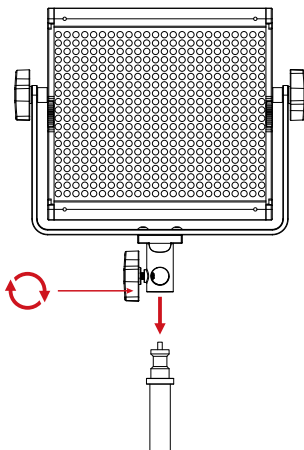
- ◆ Brand: GVM
- ◆ Type: Photography fill light
- ◆ Material: Aluminum alloy
- ◆ Function/Characteristics: APP, High color rendering index light beads
- ◆ WIFI Controllable Distance: ≤50M
- ◆ Number of light beads: 560
- ◆ Color-rendering Index: ≥97
- ◆ Color Temperature: 2300K~6800K
- ◆ Illuminance: 4320lux@1m; 15150lux@0.5m
- ◆ Light angle of lamp bead: 45°
- ◆ Power: 30W
- ◆ Weight: 1KG
- ◆ Size (mm): 260×265×48
- ◆ Power Supply Mode: DC input & Battery
- ◆ Voltage: AC:100-240V
- ◆ Power specification: DC15V/3A
- ◆ Heat Dissipation: Natural way
- ◆ Light Adjustment Method: Stepless adjustment
- ◆ Origin: Huizhou, China

PRODUCT STRUCTURE DIAGRAM

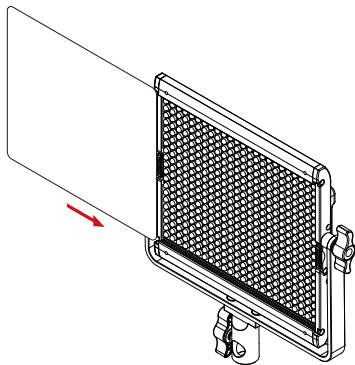


INSTALLATION METHOD

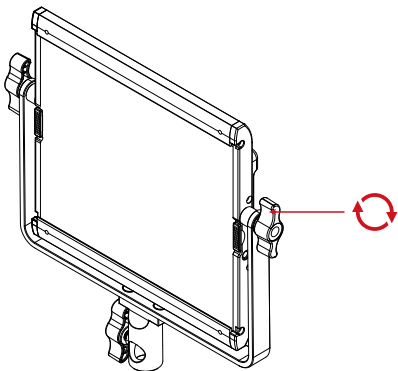
- 1 The lamp can be installed and fixed on the bracket by rotating the knob clockwise, and unloaded by rotating in the counterclockwise direction.



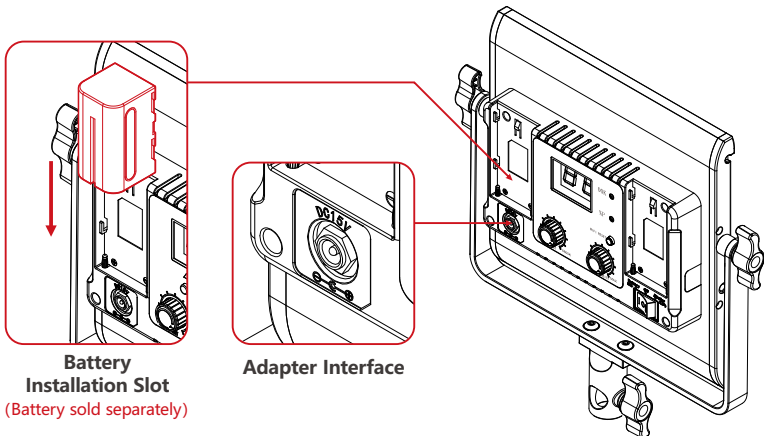
- 2 Insert the diffuser from the side of the light panel.



- 3** Loosen the adjustment knobs on both sides of the U-bracket, adjust the angle of the panel you need, and then tighten the adjustment knobs on both sides of the U-bracket.



- 4** There are two power supply modes to choose from.
1. Connect the power cord and adapter for power supply.
 2. Purchase two other suitable lithium batteries and use them for power supply.
(both battery cells must be plugged into power.)

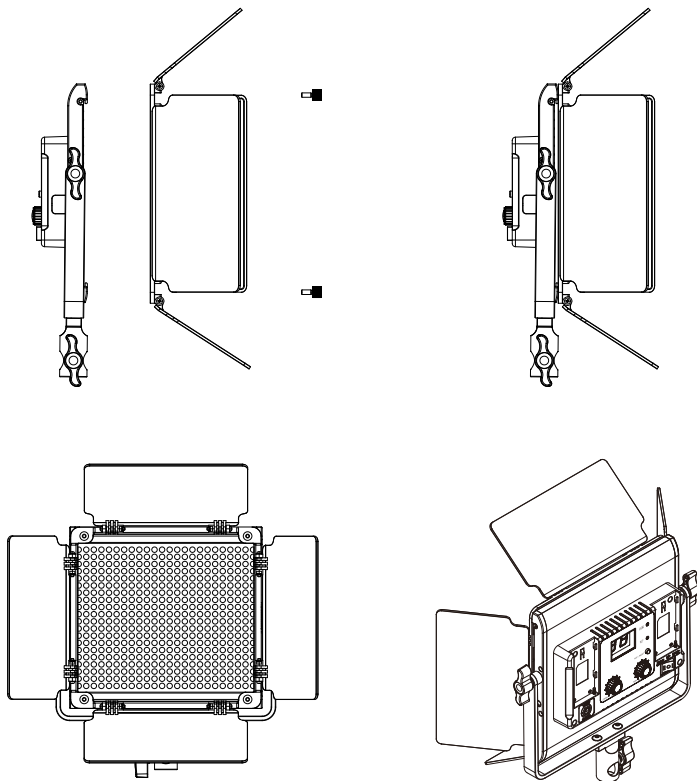


ACCESSORIES INSTALLATION METHOD

① Light control folding :

Light control folding can control the Angle of light.

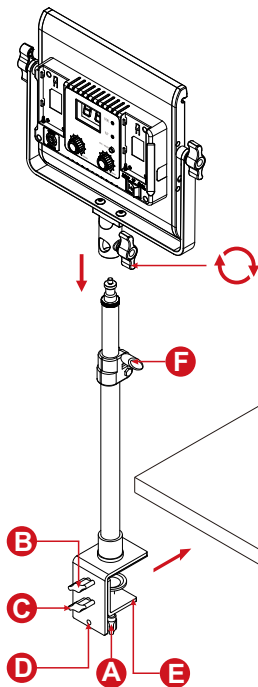
Align the front mounting holes with the screw holes of the hinges and lock the latches with screws.



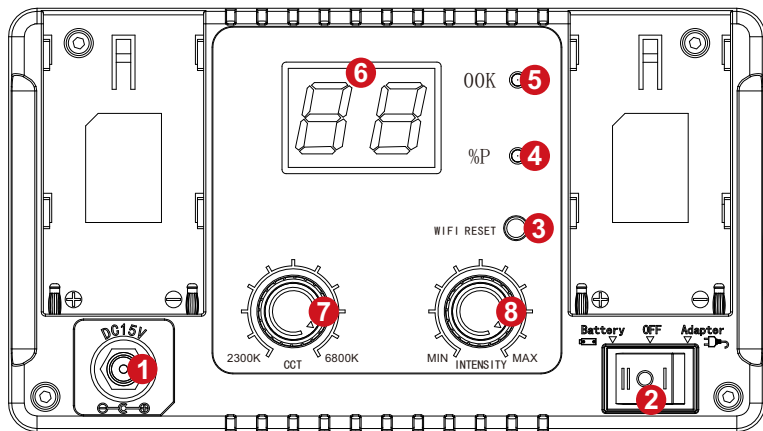
2 Desktop Light Stand :

This accessory is only included in some packages.
Please refer to the actual package purchased.

1. Loosen the A knob as shown in the figure below to clamp the lower end of the lamp holder to the desktop, and then tighten the A knob to fix the lamp holder on the desktop.
2. If the desktop is thick, you only need to loosen the B knob and C knob to remove it, after adjusting E down, then install the B knob to the position of the original C knob, and install the C knob to D. At this time, proceed to step ① to install the light stands on a thicker desk.
3. Loosen the knob of the lamp, install the lamp on the lamp holder as shown in the figure, and then tighten the knob.
4. Loosen the F knob to adjust the height of the lamp holder and tighten the F knob to lock the height of the lamp holder.



DESCRIPTION OF PRODUCT CONTROL KEYS



- 1** DC15V power input interface.
- 2** Power switch.
- 3** WIFI reset button: WIFI username and password reset button. (WiFi initial name: GVM_LED, password: gvm_admin)
- 4** Brightness indicator: when adjusting the brightness knob, the indicator is on.
- 5** Color temperature indicator: when adjusting the color temperature knob, the indicator is on.
- 6** Nixie tube: show value including lightness, color temperature, and channel.
- 7** Color temperature adjustment button: adjust the color.
- 8** Brightness adjustment button: adjust the brightness.

FUNCTION INTRODUCTION & INSTRUCTIONS FOR USE

① Control options

This product has two control modes: knob control and APP control.

Knob control: Adjust the brightness and color temperature by turning the rotary knob.

APP control: adjust brightness and color temperature through the mobile APP.

② Adjust brightness (BRG)

Rotating brightness adjusting rotary knob can adjust brightness.

③ Adjust color temperature (CCT)

Rotating brightness adjusting rotary knob can adjust color temperature.

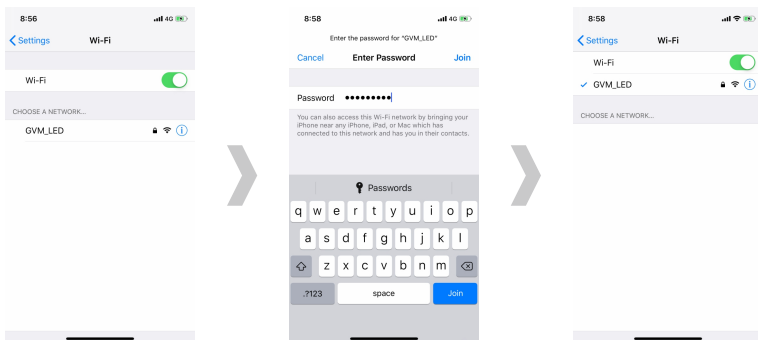
④ Indicator light

- When the brightness is adjusted by brightness level knob or APP, the brightness indicator light is on and the color temperature indicator light is off.
- When the color temperature is adjusted by the color temperature adjusting knob or APP, the color temperature indicator will be on and the brightness indicator will be off.

APP CONNECT

Scan the QR code on the back of the manual to download the APP

1. Set master mode for the photography light (automatically as a master mode when switching on the machine).
2. Turn on the mobile phone system to set WiFi (Android mobile phones can click "Connect Device" in the upper right corner of the APP main interface to quickly enter), and find the WiFi named "GVM_LED".
3. Connect to WiFi, enter the initial password: gvm_admin.

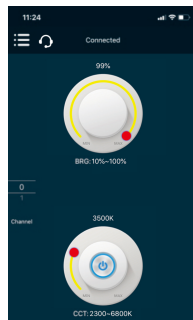


4. After ensuring WiFi connected, start APP, and when "device connected" displayed on the upper part of the main interface, you can starting to control the video light.

Note:

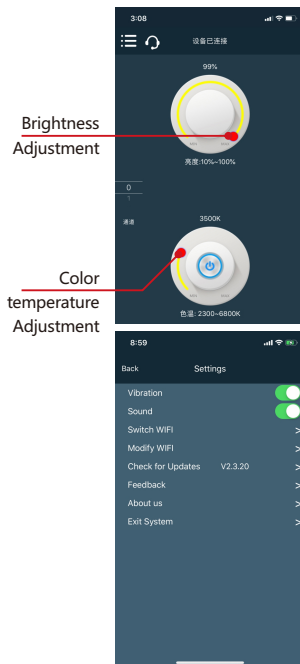
The WiFi hotspot of the device is a local area network, which cannot access the external network after connection, please connect and use it as needed.

For iOS 11 and above, you can click "Connect to WiFi" in the upper right corner of the main interface to quickly connect to the device network. If you modify the WiFi name and password, this function will fail. You need to search for the modified WiFi in the settings interface to connect.



APP INTRODUCTION

1. Brightness Adjustment: Adjust the brightness of the light by sliding the progress bar.
2. Color temperature Adjustment: Adjust the color temperature of the light through sliding the progress bar.
3. WiFi Custom Settings: Enter the setting page via the menu bar in the upper left corner. On the main interface, select "Modify WiFi". When connected to the light's WiFi, you can modify the WiFi name and password. Need to reconnect after modification WiFi should be controlled by APP.



WiFi name and password reset

Long press the video light mode button for more than 5 seconds to reset the WiFi to the initial state.

(WiFi initial name: GVM_LED, password: gvm_admin)

QUICK TROUBLESHOOTING

Phenomenon	Check the product	Troubleshooting
The switch indicator does not light up.	1. Check the matching power adapter indicator light up or not.	Make sure the adapter is well contacted with the power plug.
	2. When using lithium battery, make sure there's no "low power" protection.	Charge the battery before using it.
The product is in the "ON" state, the display and lights are not on.	Check if the product is "OFF" because of the APP on the mobile phone.	Press the "ON/OFF" button once again.
APP can't connect / can't control.	Check whether the WiFi is connected in master mode, whether the WiFi is successfully connected, and whether "Connected" is displayed on the APP.	Normal steps: 1.Switch to master mode after booting; 2.Successfully connect to WiFi; 3.Open the APP and the connection will be successful.
WiFi is successfully connected, but the device cannot connect to the APP.	Check if the "Switch Device" type in the APP main menu is switched to "Single/Double color temperature light".	Click APP main menu → Switch device → Single/Double color temperature light.

USE AND PRESERVATION

Do not place the product in a high humidity, strong electromagnetic fields, direct sunlight, or high-temperature environment. If the product will not be used for a long time, please disconnect it power and remove the battery.

Clean: Before cleaning, disconnect the power plug. And use a damp cloth instead of any detergent or soluble liquids to avoid damaging the surface layer.

Power: Make sure the power is within the demanded range, not too high or too low. Correctly load the battery, in order not damage to the machine.

Repairing: If there is a fault or performance degradation, do not unpack the shell by yourself, avoiding damage to the machine and losing the right of maintenance. When there is a fault, do not hesitate to contact us, and we will do our best to deal with the problem.

Accessories: Please use the accessories provided by the manufacturer and approved ones, to maximize the performance.

Warranty: Do not modify the product, or you will lose the right to maintenance.

PRECAUTIONS

1. Please use the matching power adapter or lithium battery with the same specification to power the product. Do not use power adapter with different output voltage parameters.
2. The product is not waterproof, please use it in a rainproof environment.
3. The product is not anti-corrosion, therefore do not let the product touch any corrosive liquid.
4. When using the product, make sure the product is put firmly and prevents falling and damage.
5. If the product will not be used for a long time, please switch off the power to reduce energy loss.

PACKING LIST

Name	Quantity	Notes
Photography Lights	1	
Power Cord	1	
Adapter	1	
Diffuser	1	
Barndoors	1	
Carrying Case	1	
Instructions	1	

PRODUCT WARRANTY

Dear user, this warranty card is important proof for applying for warranty service. Please cooperate with the salesperson to fill it out and keep it properly. Thank you!

Product Information	Model Number	Product Barcode
User Information	Name	Contact Number
	Mailing Address	
Seller Information	Name	
	Contact Number	
	Mailing Address	
	Sales Date	
Remarks		

Note: this form should be confirmed by the salesperson's stamp.

Applicable Products

This document applies to the products listed in the relevant "Product Warranty Information" (see instructions below). Other products or components that do not fall within this scope (such as promotional products, gift items, and other components added after the factory) are not covered by this warranty promise.

Warranty Period

The corresponding warranty period for products and components shall be executed according to the relevant "Product Warranty Information". The warranty period starts from the first day of purchase of the product, and the date of registration on the warranty card at the time of purchase shall prevail.

How to Obtain Warranty Service

You can directly contact the product salesperson or authorized service agency, or call GVM's after-sales service hotline to contact us and have our service personnel arrange service for you. When applying for warranty service, you should provide a valid warranty card as a warranty certificate to be eligible for warranty service. If you cannot provide a valid warranty card, we may also provide you with warranty service under the circumstance that our products or components are confirmed to be within the warranty scope, but this is not our obligation.

Cases where warranty does not apply:

If the product meets the following conditions, the warranty and service under this document will not apply:

1. The product or parts have exceeded the corresponding warranty period.
2. Malfunctions or damages caused by incorrect or improper use, maintenance, or storage, such as improper handling, use for purposes other than the reasonable expectations of the product, incorrect insertion or removal of external devices, falling or crushing due to external force, or exposure to inappropriate temperature, solvents, acids, alkalis, water immersion, or damp environments.
3. Malfunctions or damages caused by unauthorized installation, repair, modification, addition, or disassembly by institutions or personnel not authorized by GVM.
4. Modifications, changes, or removals of the original identification information of the product or its parts.
5. Lack of valid warranty card.
6. Malfunctions or damages caused by the use of unauthorized, non-standard or non-publicly released software.
7. Malfunctions or damages caused by force majeure or accidents.
8. Other malfunctions or damages not caused by quality issues of the product itself. In such cases, you should seek solutions from the relevant responsible parties, and GVM will not be held liable. Malfunctions or damages caused by components, accessories, or software not covered by the warranty or beyond the warranty scope that renders the product unable to function properly are not covered by the warranty. Fading, wear, and consumption that is normal during the product usage process are not covered by the warranty.

Product Warranty and Service Support Information

The product warranty period and service types are implemented according to the following "Product Warranty Information" for each product category, component, and optional equipment:

Product Category	Accessories Name	Warranty Period(Month)	Warranty Service Type
Component	Circuit Board.	12 Month	Customer service repair
Other	Spotlight mount, softbox, adapter, Standard reflector, power cord, battery Handle, light stand, TYPE-C cable, battery slot, battery, Fresnel lens, grid, carrying bag and all other accessories, etc. Consumable or electrically sensitive parts are not covered by the warranty.	None	No Warranty

QC
PASS



GVM Official website



Facebook



Download APP

Huizhou Latu Film Equipment Co., Ltd.

Web: www.gvmlcd.com

B&H Email: bh@gvmlcd.com

GVM Email: support@gvmlcd.com

Amazon Email: amazonsupport@gvmlcd.com

Warehouse Address: 12285 MCNULTY RD, STE 105 PHILADELPHIA, Pennsylvania 19154, USA